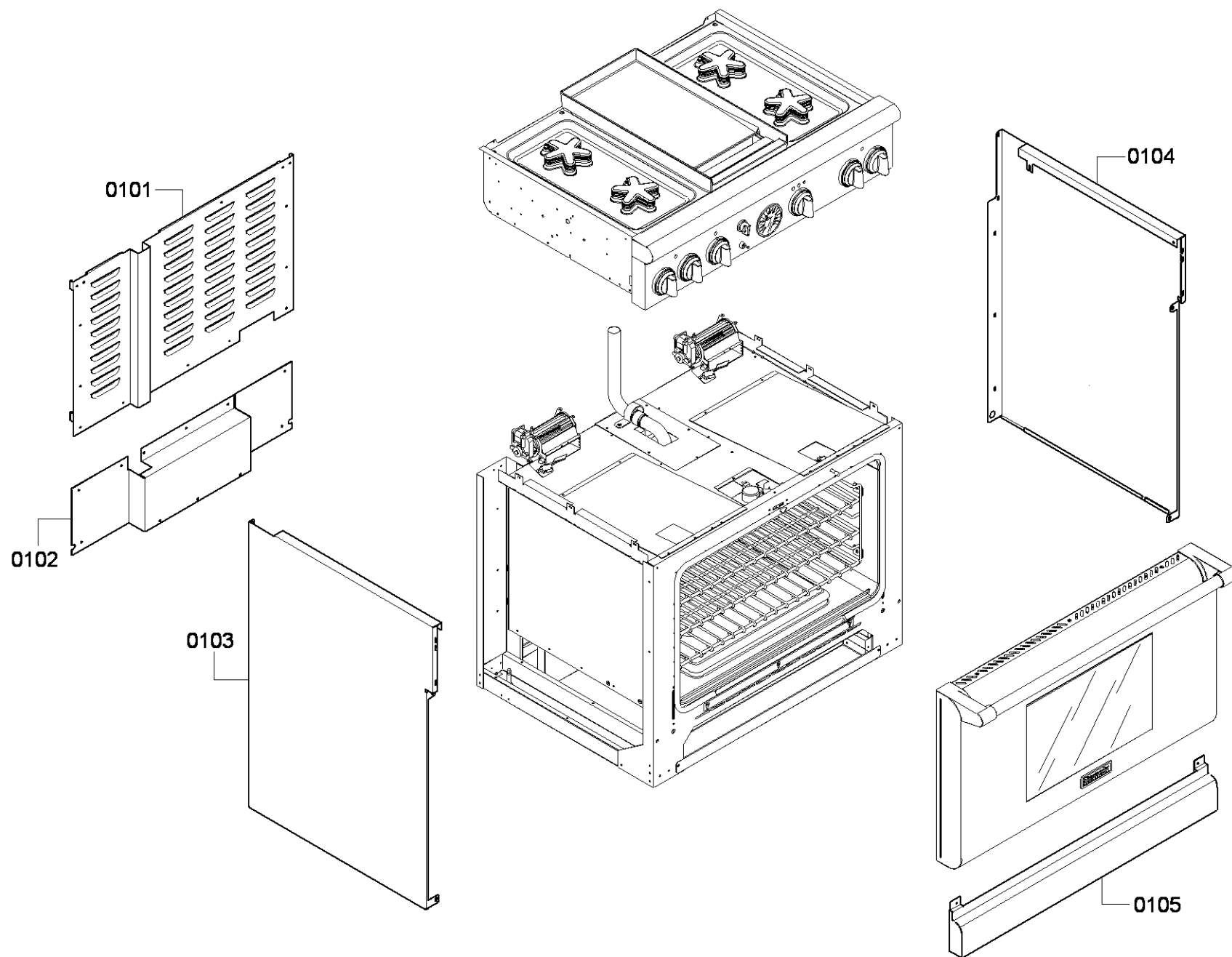
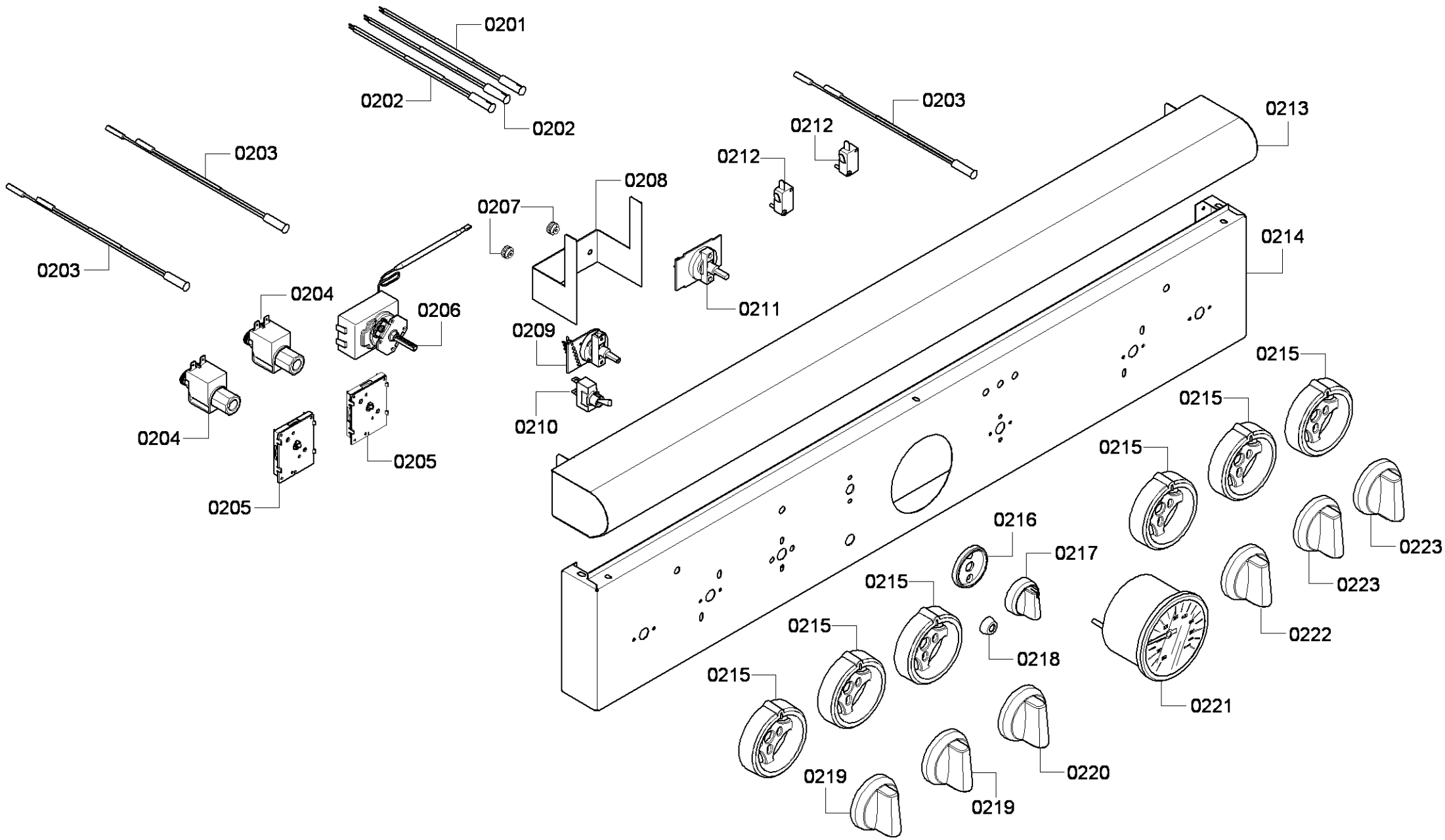




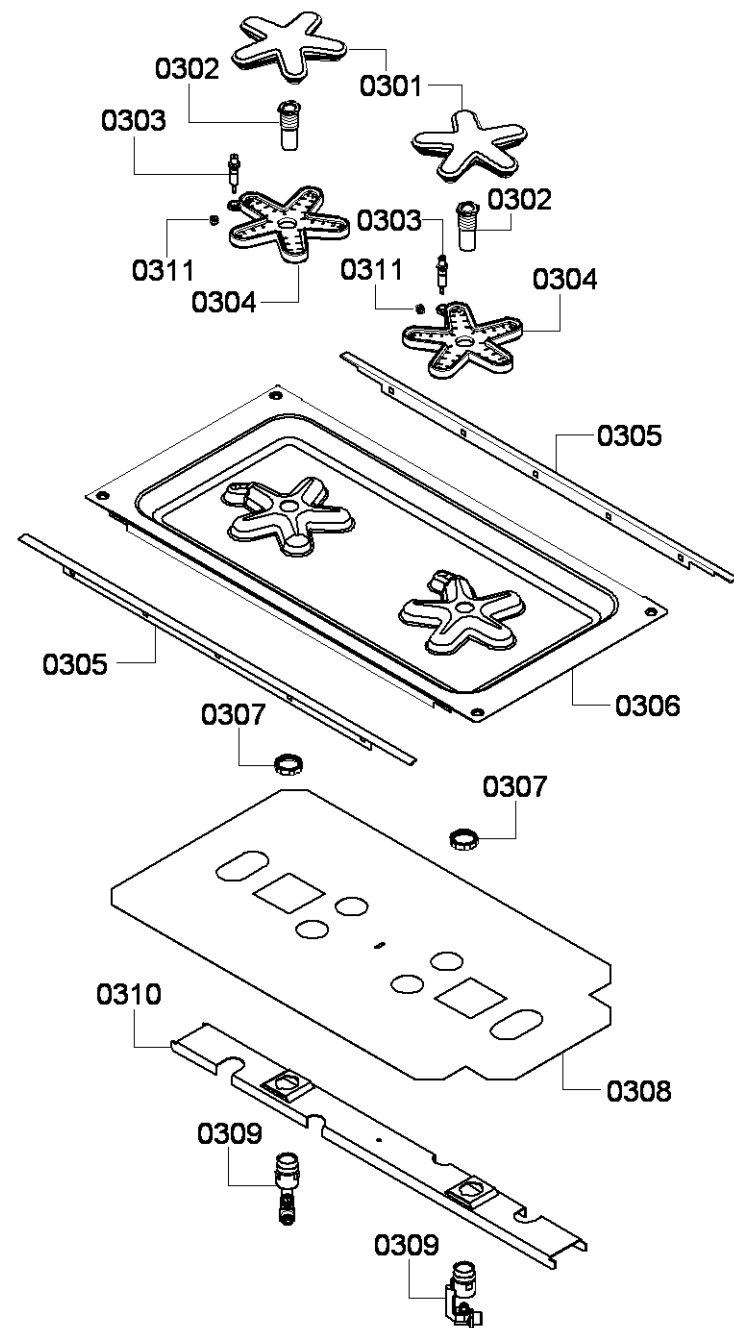
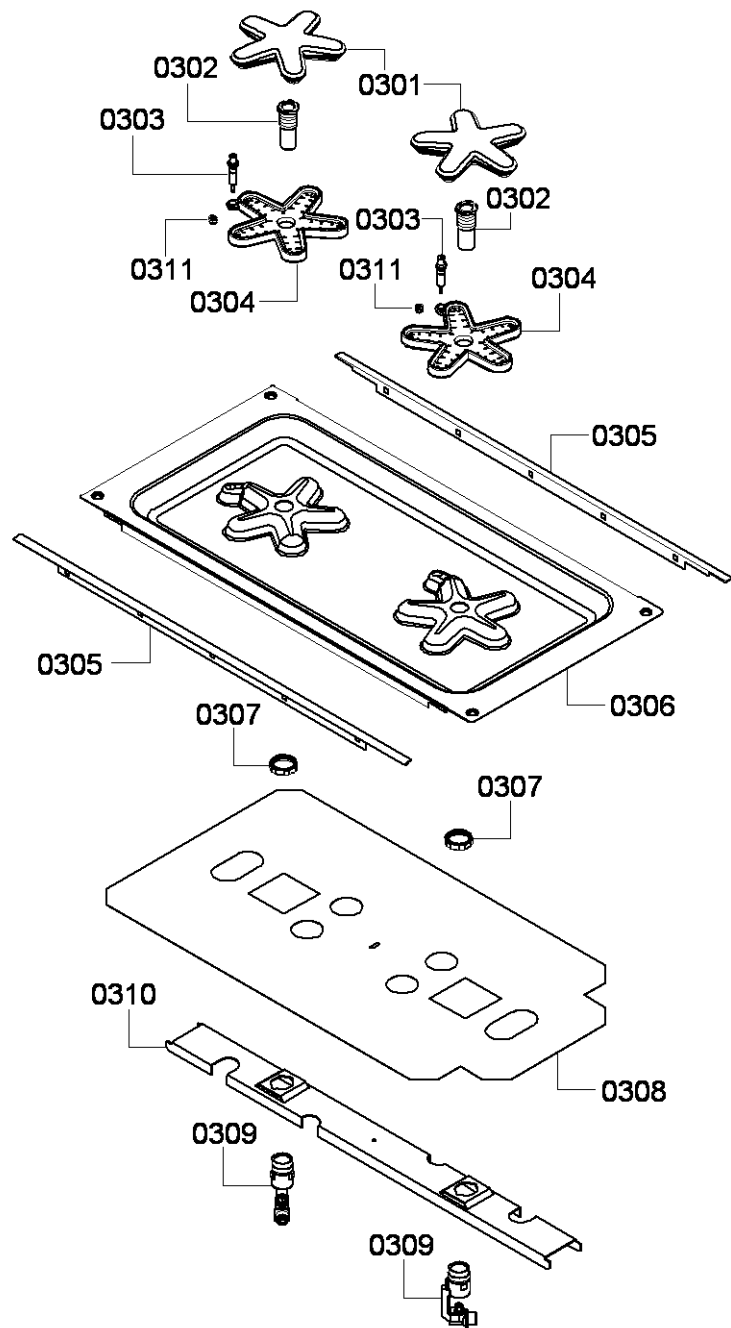
0199



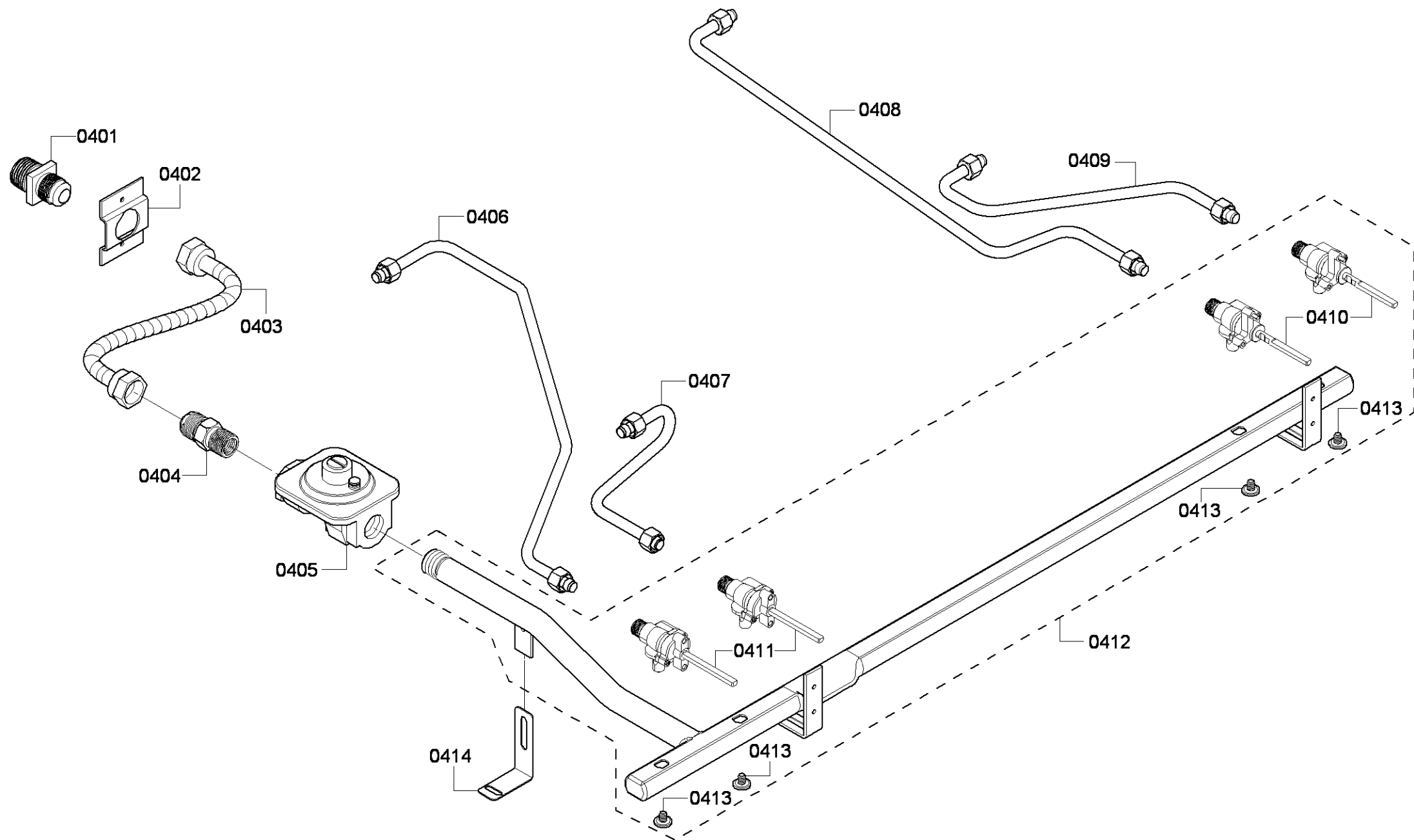
Position ID	Part number.	Replaces:	Description
0101	00144033		Cover
0105	00473362		Panel-base



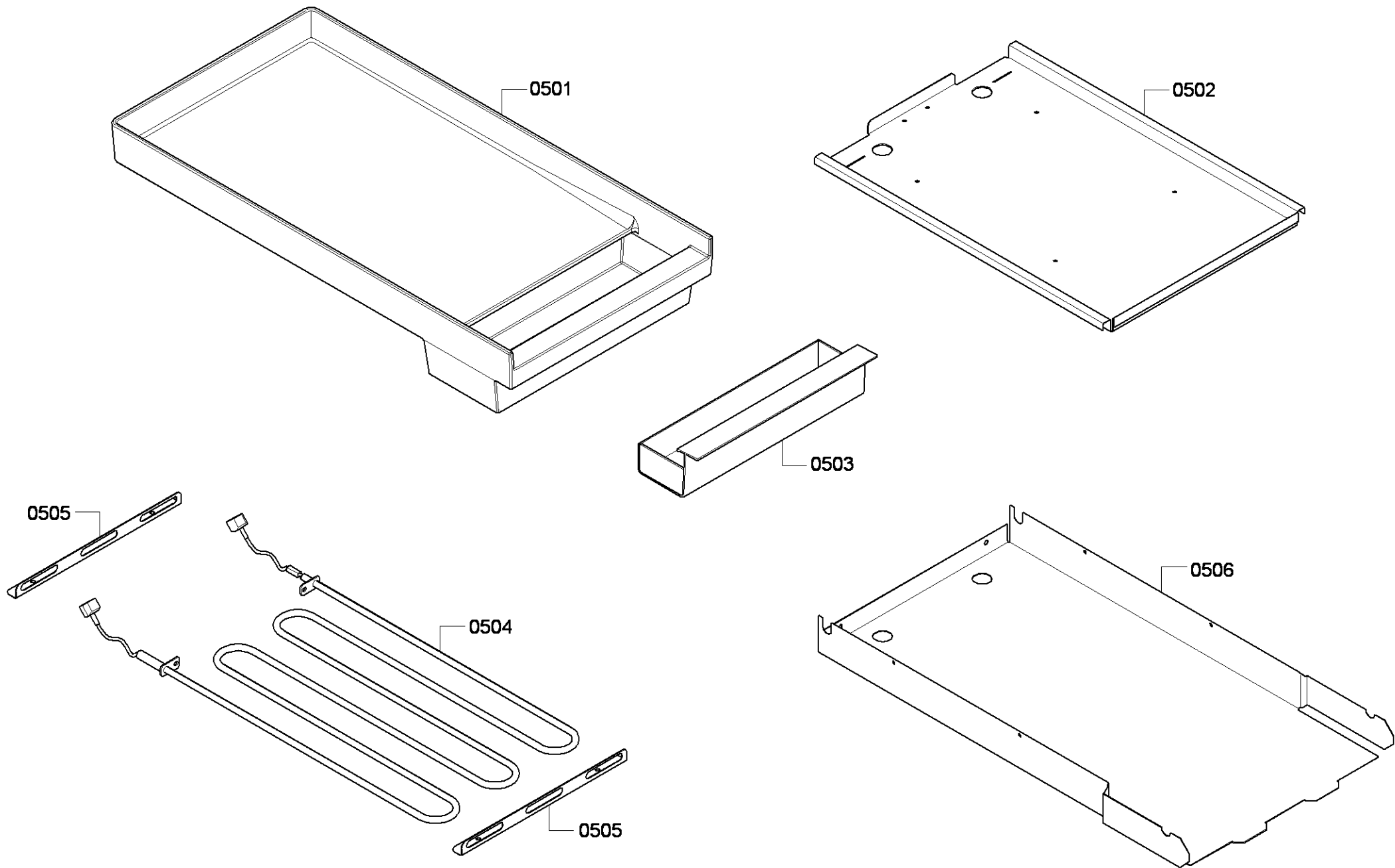
Position ID	Part number.	Replaces:	Description
0201	00420344	00654845	Fixing kit
0202	00420343		Diode-led
0203	00643505	00617886	Display
0204	00423093		Valve
0205	00422748		Switch Resistor Potentiometer
0207	00614780		Nut
0250	00424529		Nut
0209	00608629	00619077	Switch-selector
0210	00609115		Switch
0211	00418329	00624610	Potentiometer
0212	00428049		Microswitch
0213	00144775		Panel-facia
0214	00479231		Panel-facia
0215	00608778		Ring
0216	00600904		Ring
0217	00609106		Knob
0218	00418122		Ring
0219	00609114		Knob
0220	00609110		Knob
0221	00641396		Display-temperature
0222	00609113		Knob
0223	00609111		Knob



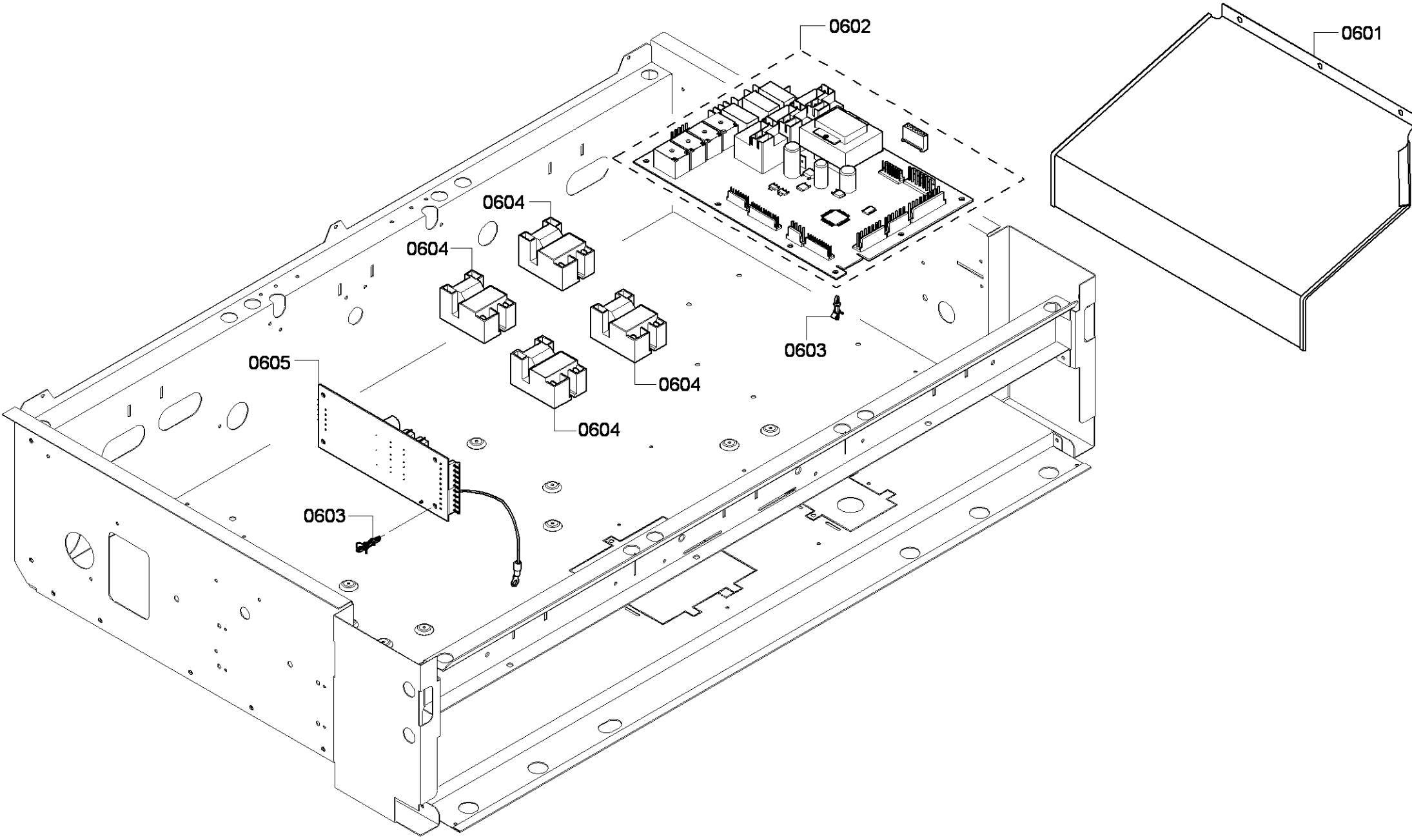
Position ID	Part number.	Replaces:	Description
0302	00189023		Tube
0303	00603777		Ignition device
0304	00494134		Burner housing
0305	00369946		Trim
0306	00143472		Tray
0307	00188978		Nut
0308	00494375		Heat shield
0309	00600607		Holder
0310	00497222		Mounting bracket
0311	00607748		Spring



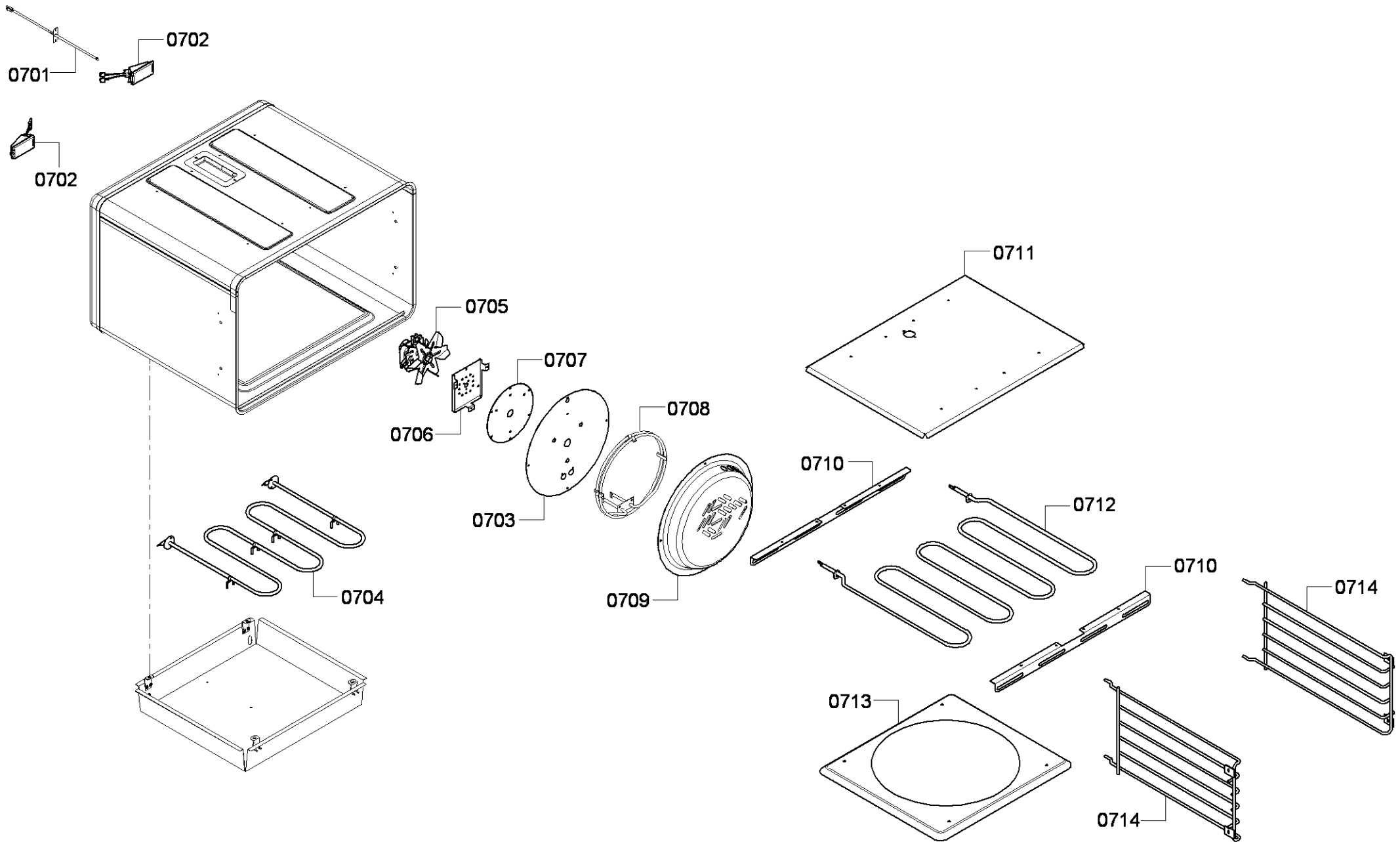
Position ID	Part number.	Replaces:	Description
0401	00425445		Adapter
0404	00428117		Adapter
0405	00415506	00754658	Regulator-pressure
0406	00498910		Tube
0407	00498909		Tube
0408	00498914		Tube
0409	00498915		Tube
0410	00492270	00628629	Valve
0411	00492271	00629120	Valve
0413	00420807		Screw



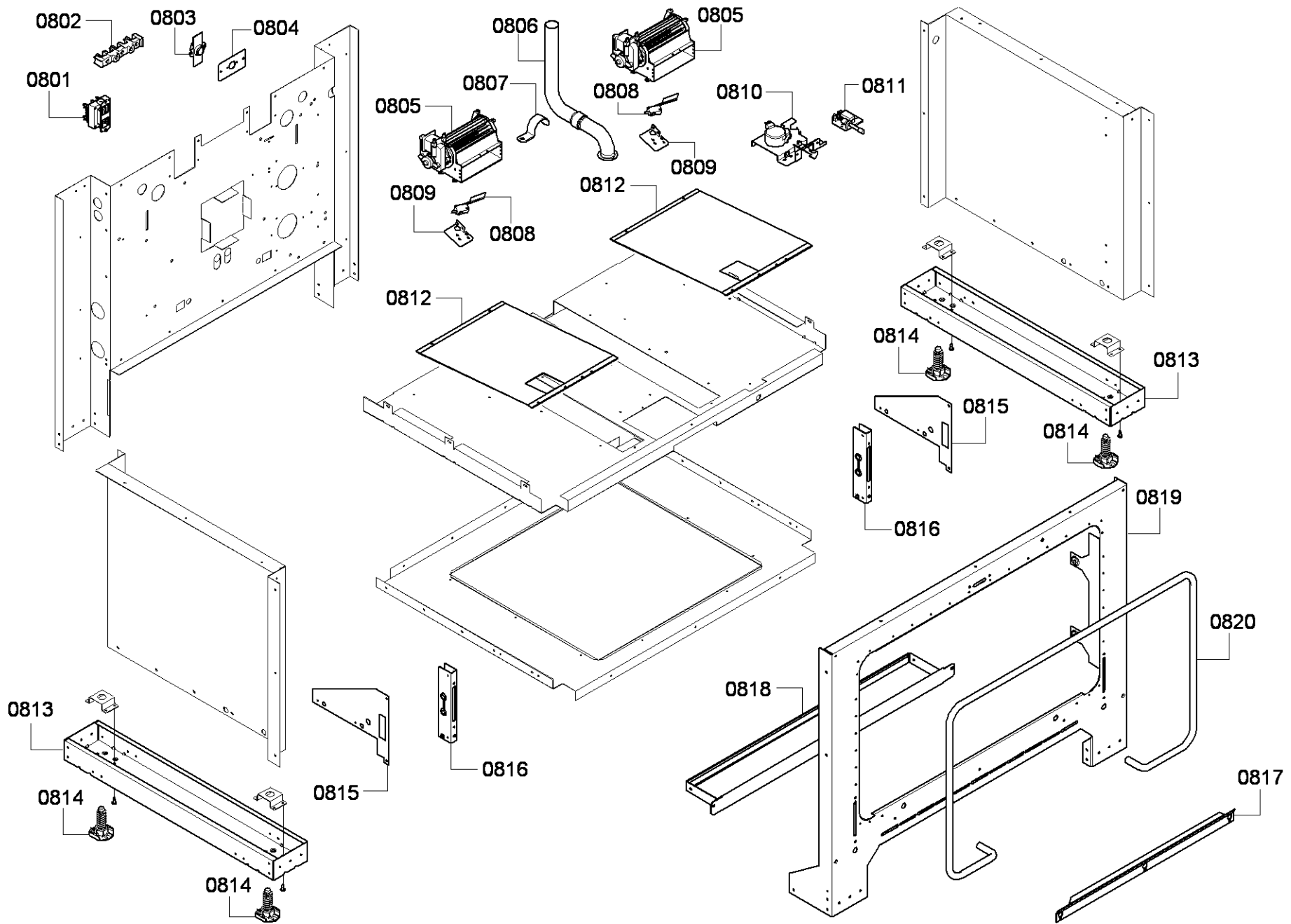
Position ID	Part number.	Replaces:	Description
0502	00144548		Tray
0504	00445588		Heating element
0506	00662510		Retaining plate
0503	00666421		Tray
0550	00643538		Cable harness
0501	00144547	00667819	Plate



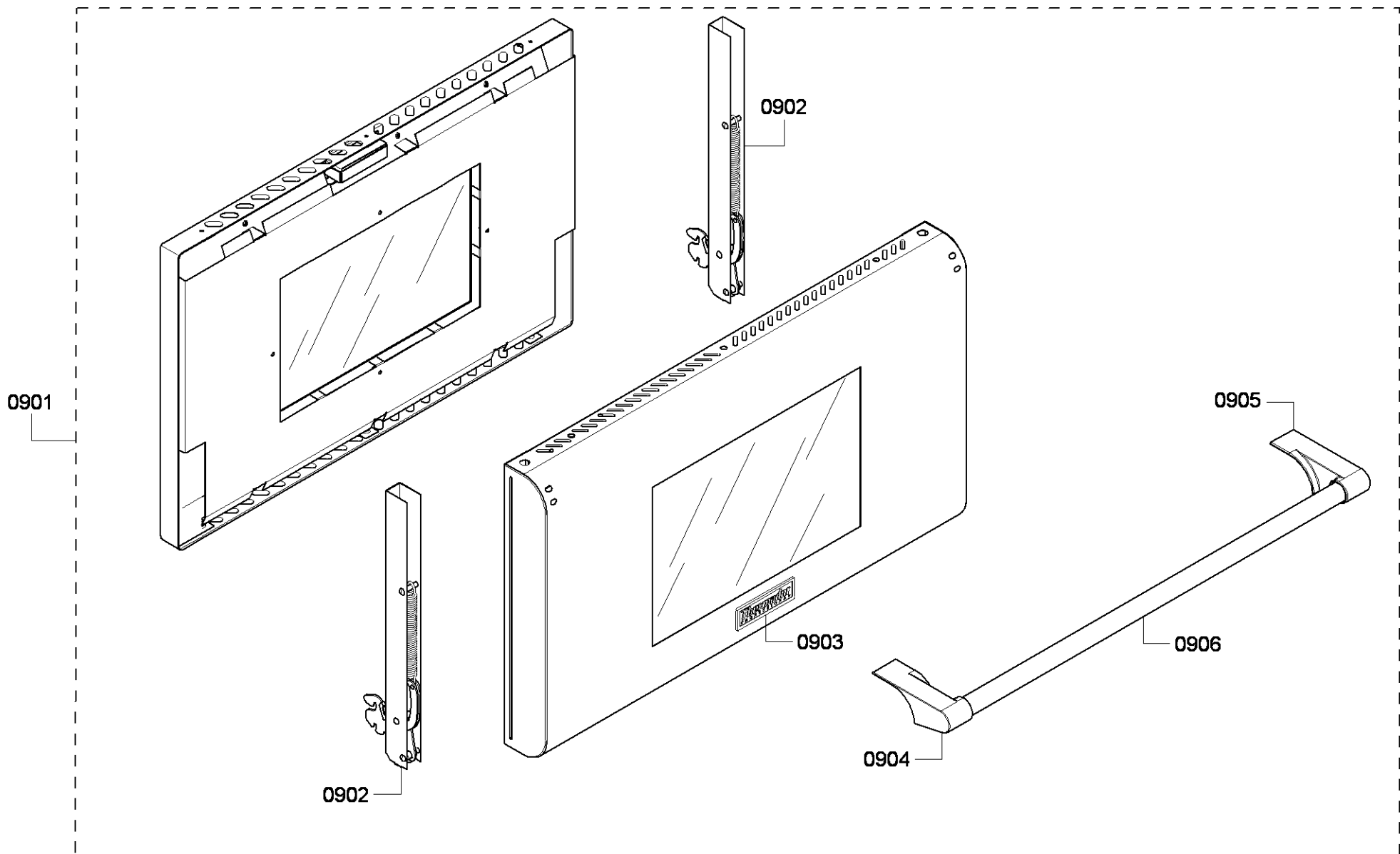
Position ID	Part number.	Replaces:	Description
0601	00496069		Heat shield
0604	00604749	00619757	Fixing kit
0605	00605350	00619016	Fixing kit
0651	00608011	00754966	Ignition cable
0656	00438794		Cable harness
0654	00643529		Cable harness
0652	00643535		Cable harness
0603	00418283		Support
0657	00438795		Cable harness
0602	00709785		PC board



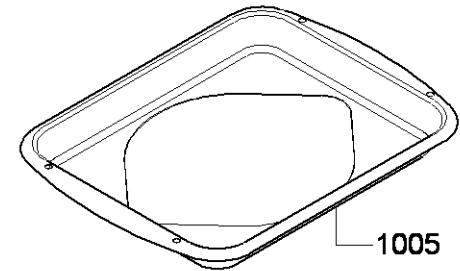
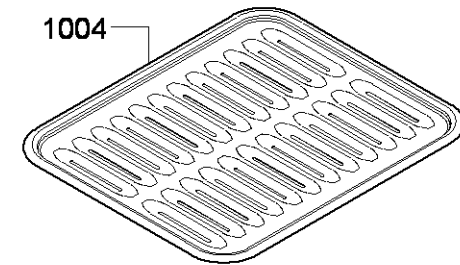
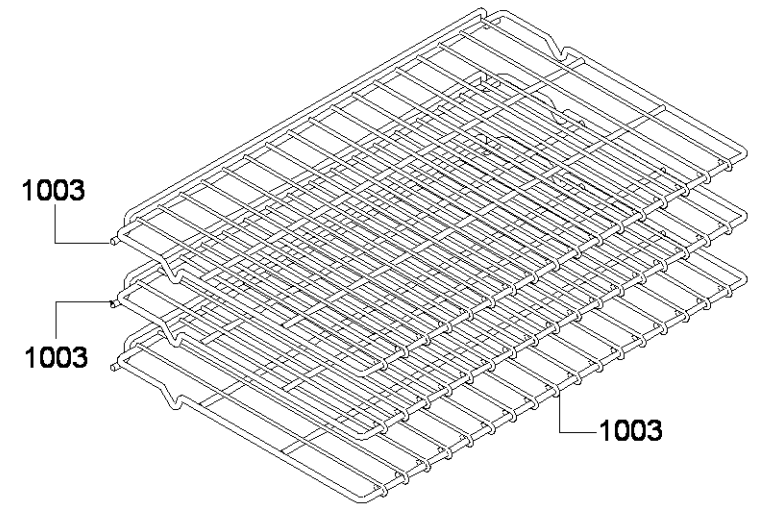
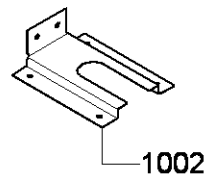
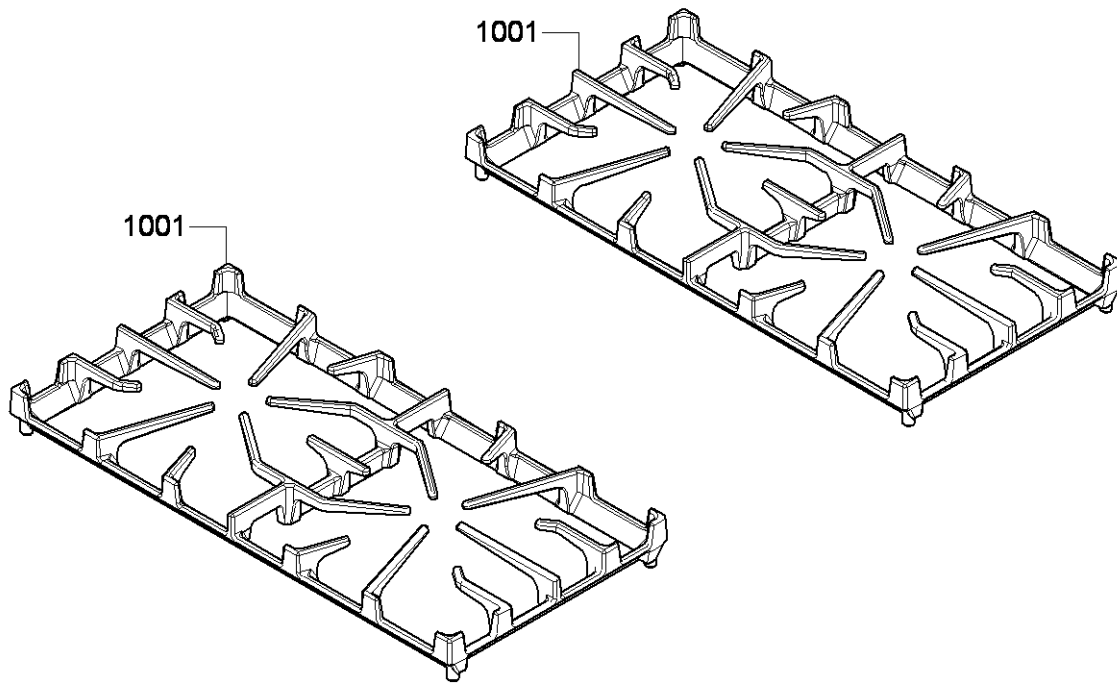
Position ID	Part number.	Replaces:	Description
0701	00418121	00627375	Temperature sensor
0704	00431910		Heating Element
0705	00497756		Motor
0706	00489178		Bracket
0707	00489183	00479238	Cover
0708	00640401		Heating element
0709	00489125		Cover
0710	00418115		Bracket
0711	00440371		Plate
0712	00431908		Broil Element
0713	00433781		Cover
0714	00418089		Support
0703	00489206		Cover
0702	10007424		Lamp



Position ID	Part number.	Replaces:	Description
0801	00489194		Transformer
0802	00436364		Terminal box
0803	00421608		Control mechanism
0812	00440340		Deflector
0806	00494383		Pipe connection piece
0850	00438796		Cable harness
0851	00438797		Cable harness
0805	00641059		Fan
0810	00489185		Lock-mechanical
0813	00442762		Support
0814	00427073		Foot
0815	00494377		Bracket
0816	00640922		Receiver
0820	00418118	00686195	Seal-door



Position ID	Part number.	Replaces:	Description
0901	00478787	00478935	Door
0903	00608776		Plate
0906	00473538		Handle



Position ID	Part number.	Replaces:	Description
1001	00143928		Grate
1002	00427338		Bracket
1004	00143673	00449756	Broiler Pan
1050	00413552		Grate Feet