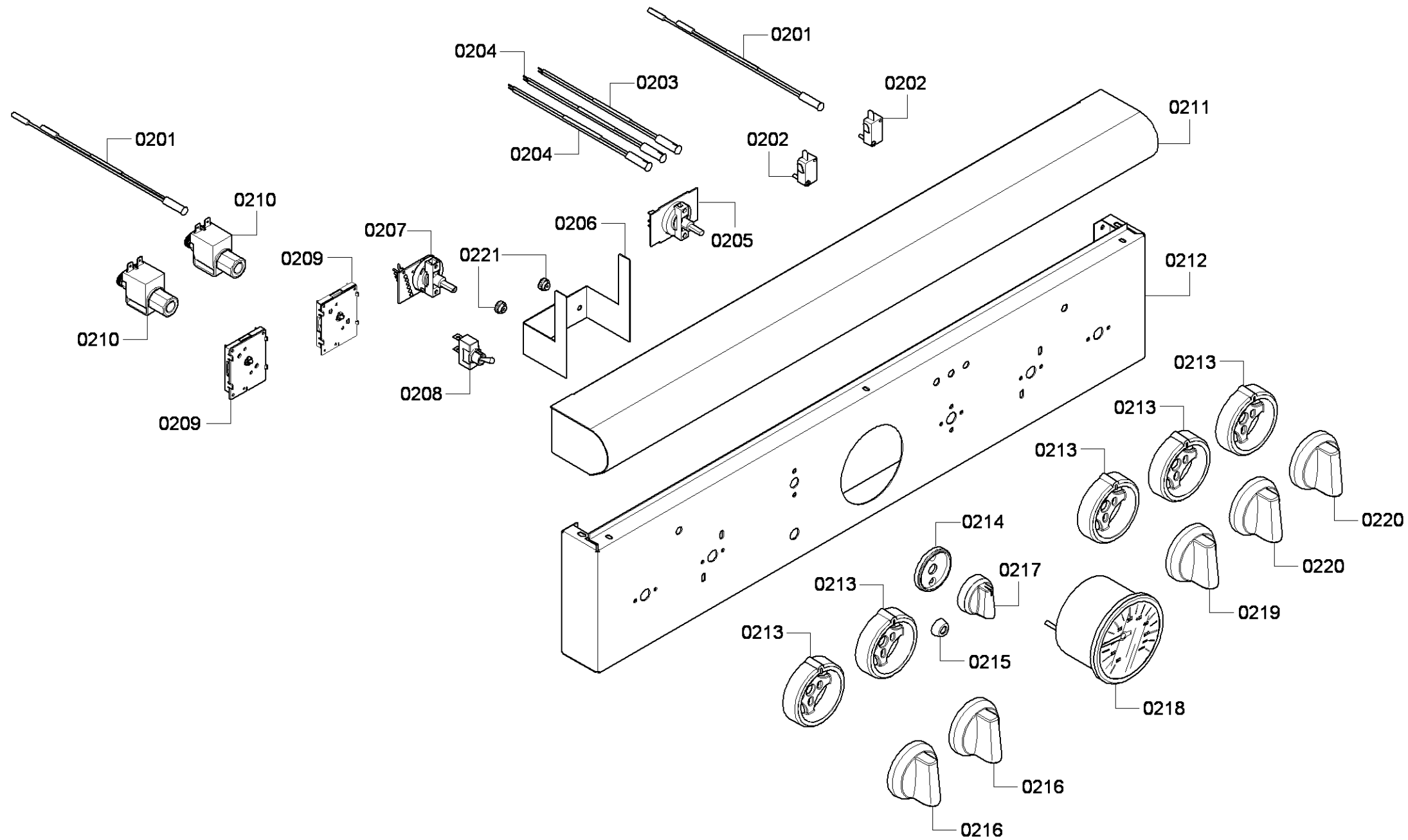
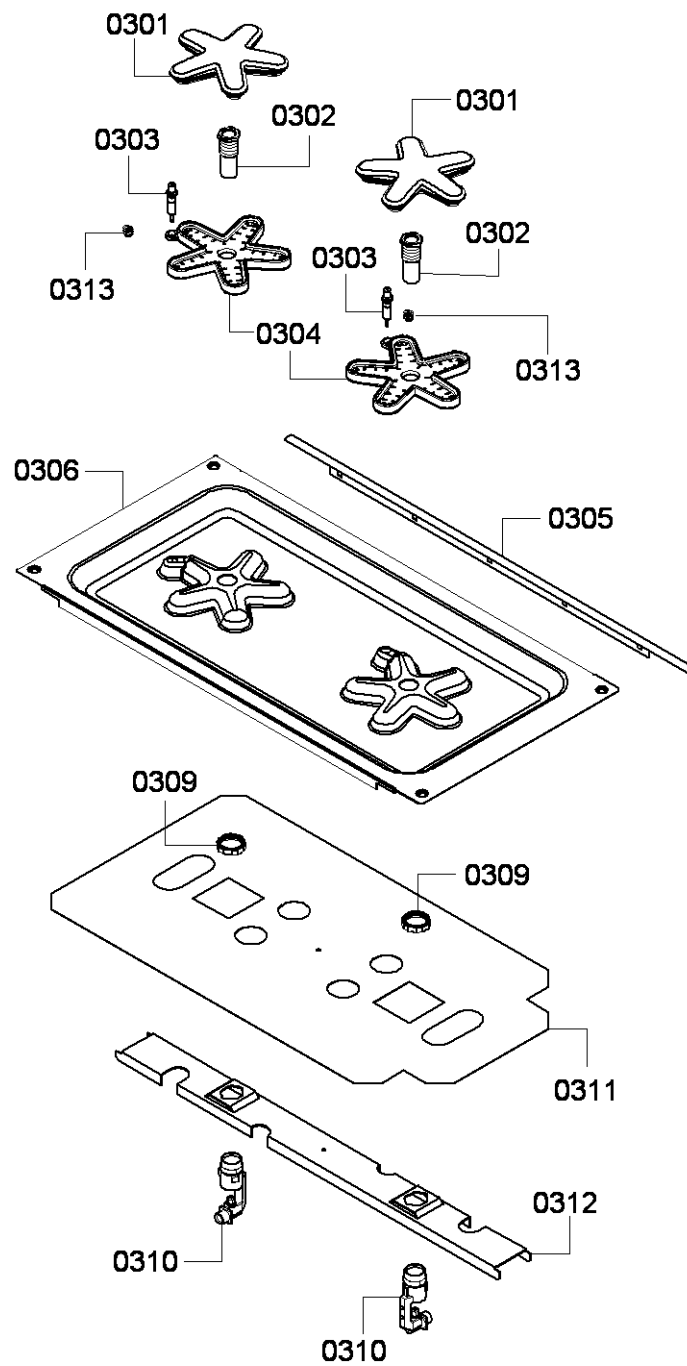
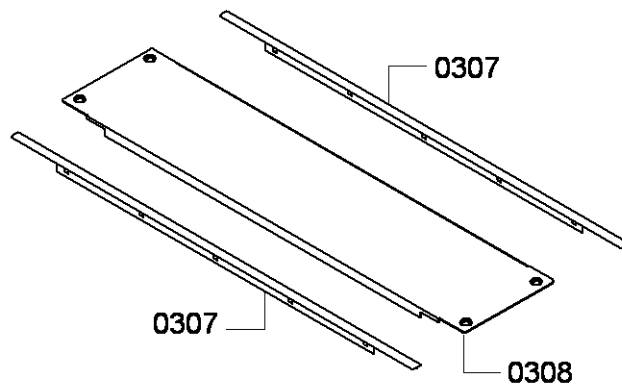
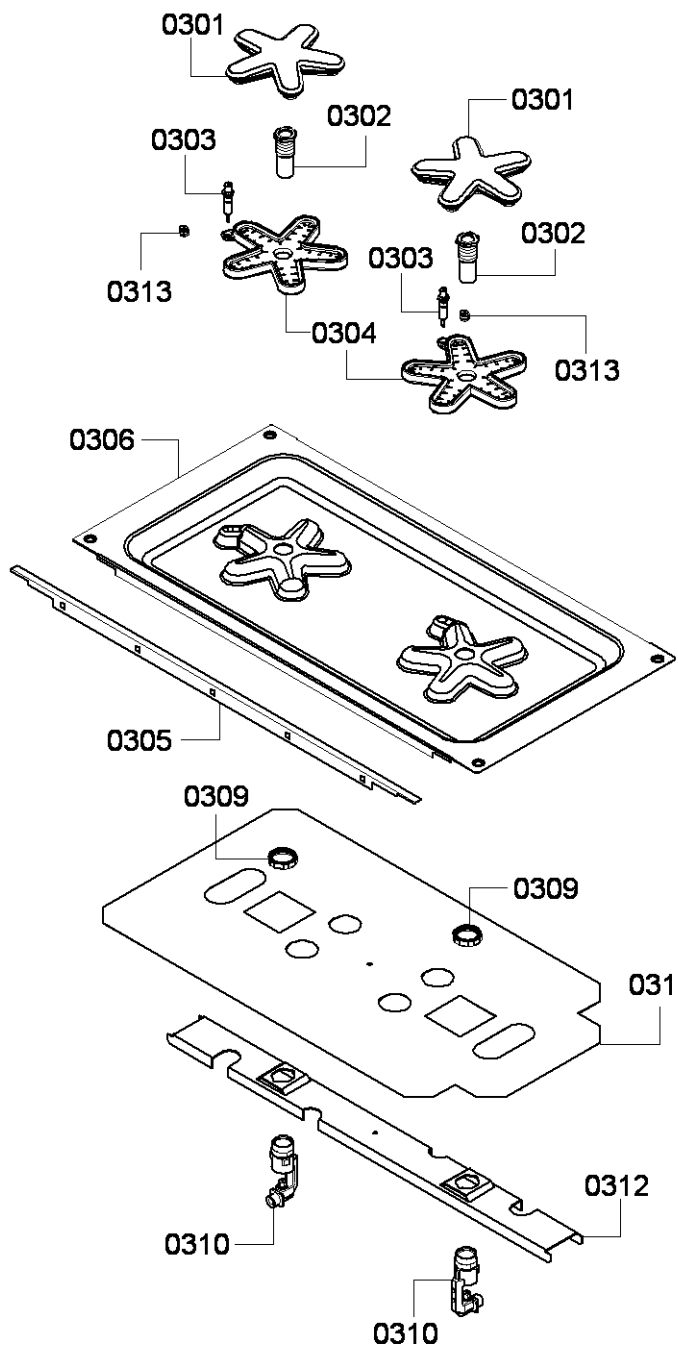


0199

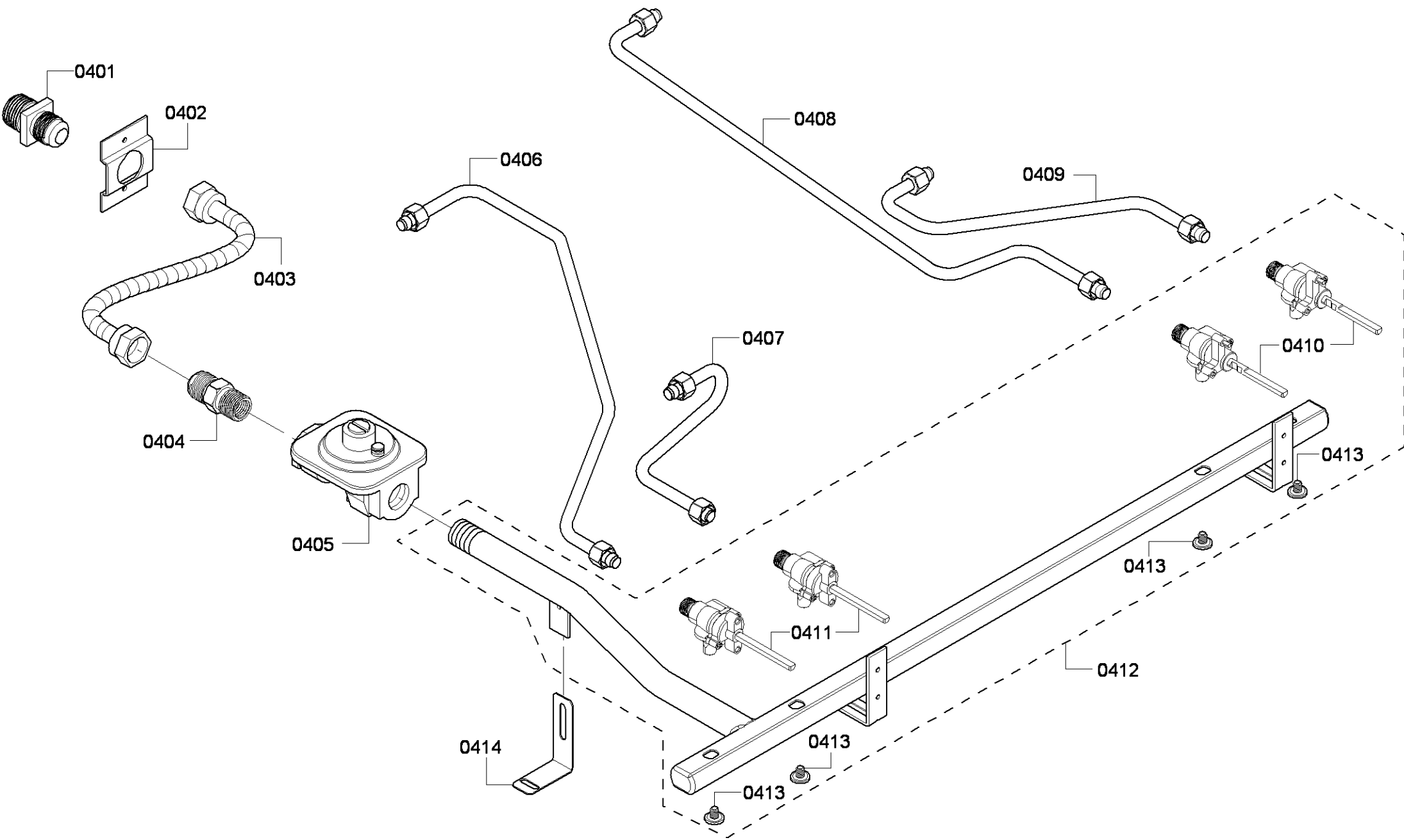
Position ID	Part number.	Replaces:	Description
0101	00143426		Panel
0106	00473361		Panel-base



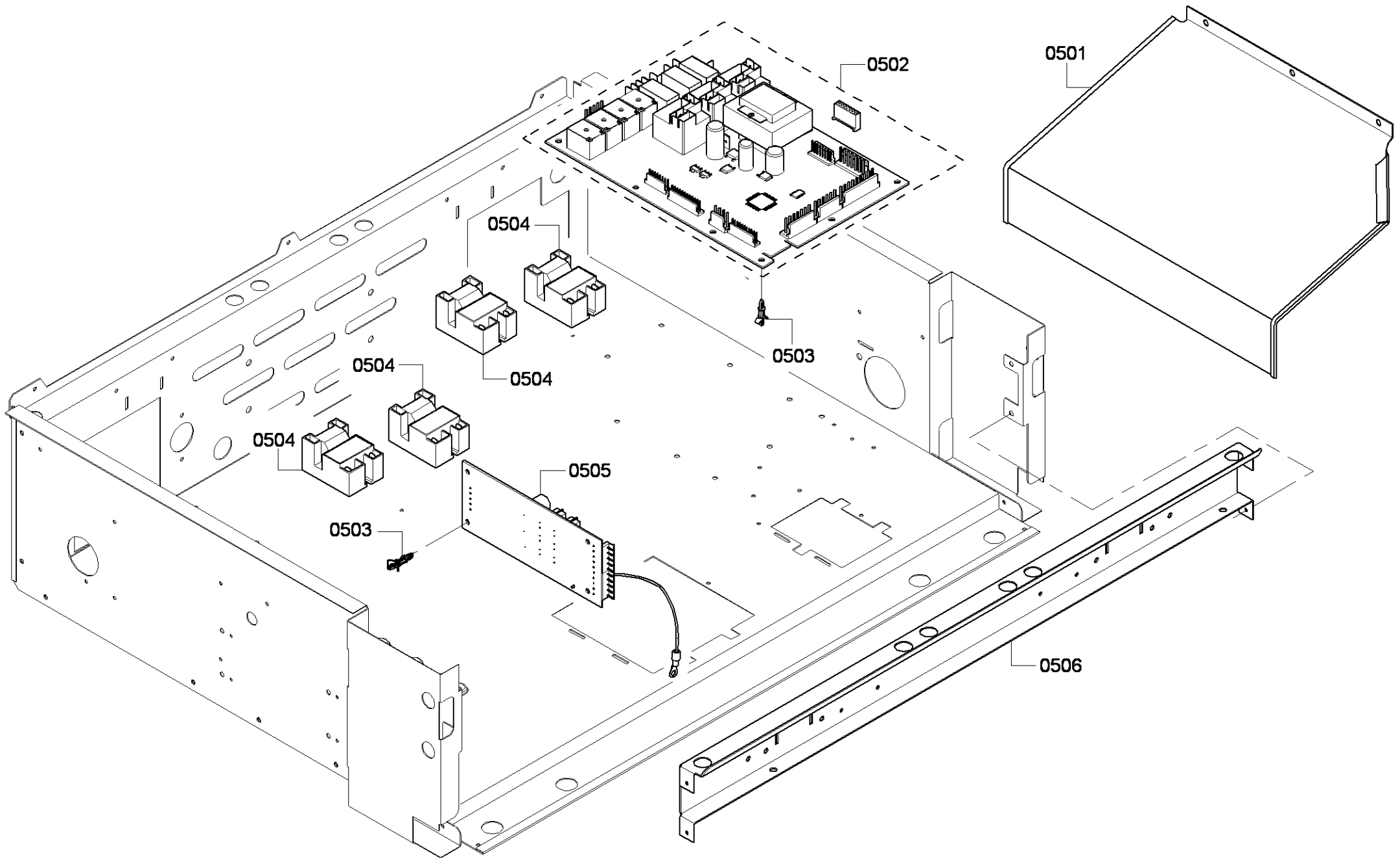
Position ID	Part number.	Replaces:	Description
0201	00643505	00617886	Display
0202	00428049		Microswitch
0203	00420344	00654845	Fixing kit
0204	00420343		Diode-led
0205	00418329	00624610	Potentiometer
0207	00608629	00619077	Switch-selector
0208	00609115		Switch
0209	00422748		Switch Resistor Potentiometer
0210	00423093		Valve
0211	00219864		Panel-facia
0212	00479230		Panel-facia
0213	00608778		Ring
0214	00600904		Ring
0215	00418122		Ring
0216	00609114		Knob
0217	00609106		Knob
0218	00641396		Display-temperature
0219	00609113		Knob
0220	00609111		Knob
0221	00614780		Nut



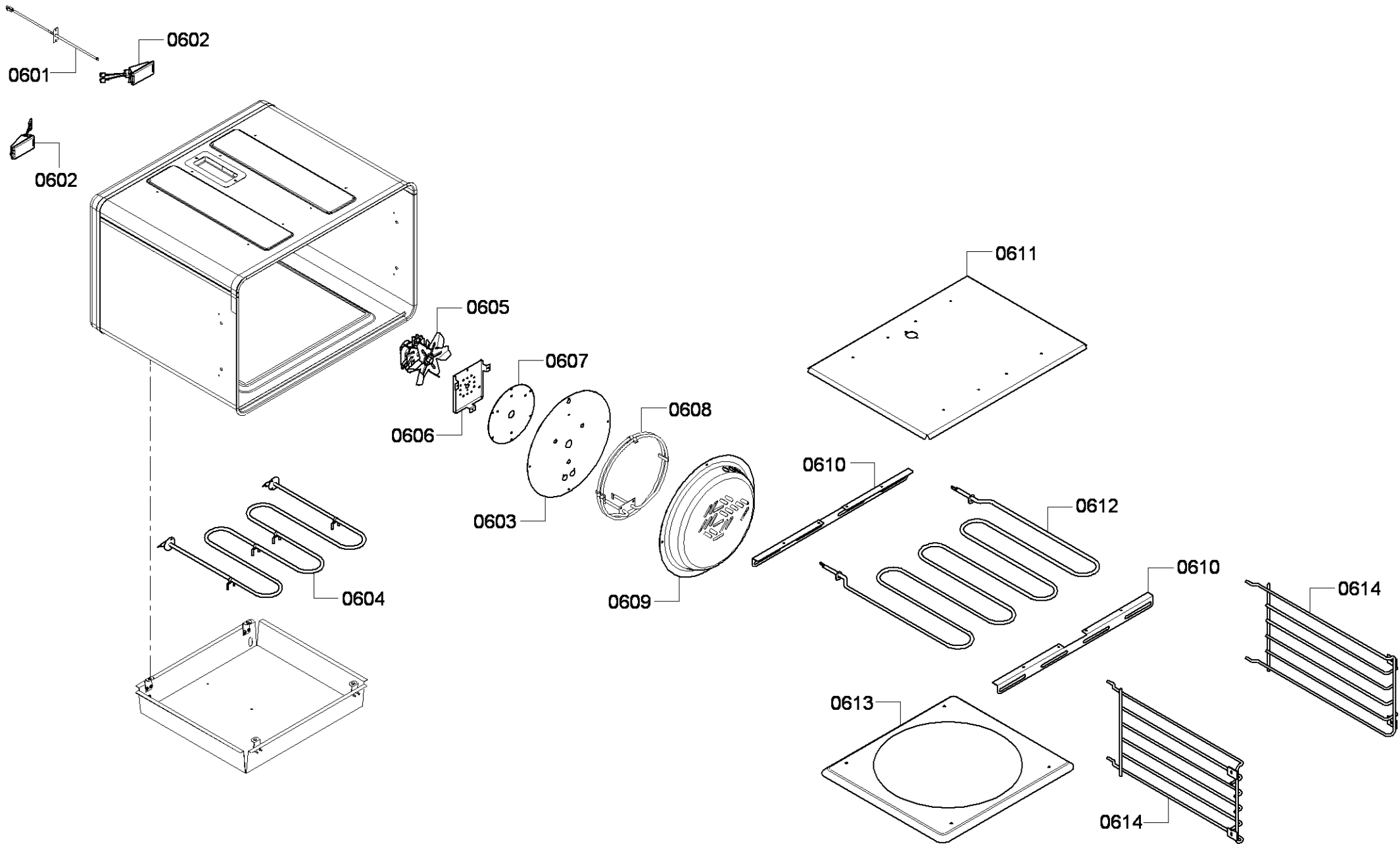
Position ID	Part number.	Replaces:	Description
0302	00189023		Tube
0303	00603777		Ignition device
0304	00494134		Burner housing
0305	00369946		Trim
0306	00143472		Tray
0307	00369945		Panel-insert
0309	00188978		Nut
0312	00497222		Mounting bracket
0313	00607748		Spring
0311	00494375		Heat shield
0310	00600607		Holder



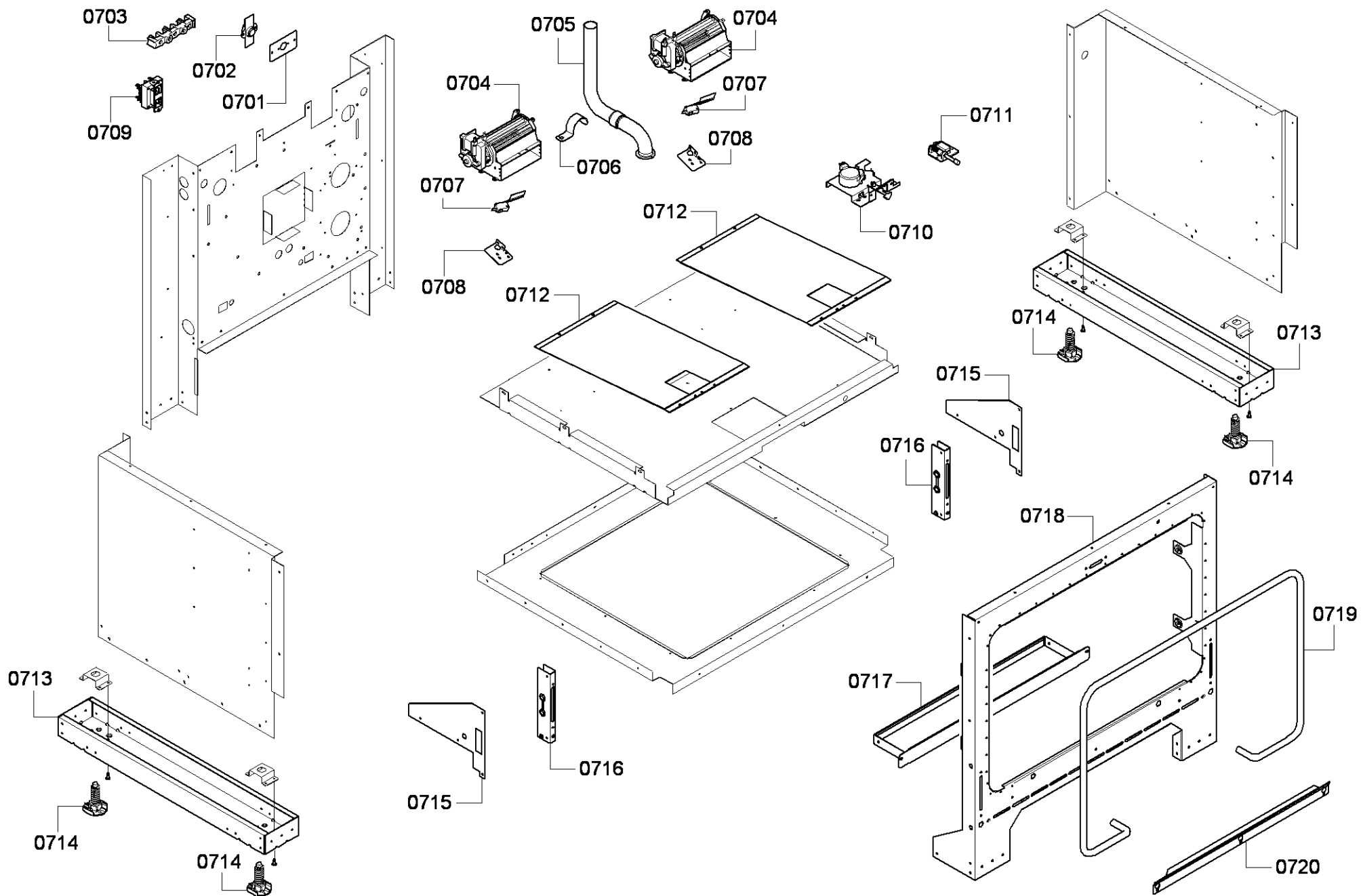
Position ID	Part number.	Replaces:	Description
0401	00425445		Adapter
0404	00428117		Adapter
0405	00415506	00754658	Regulator-pressure
0406	00498910		Tube
0407	00498909		Tube
0408	00498914		Tube
0409	00498915		Tube
0410	00492270	00628629	Valve
0411	00492271	00629120	Valve
0413	00420807		Screw



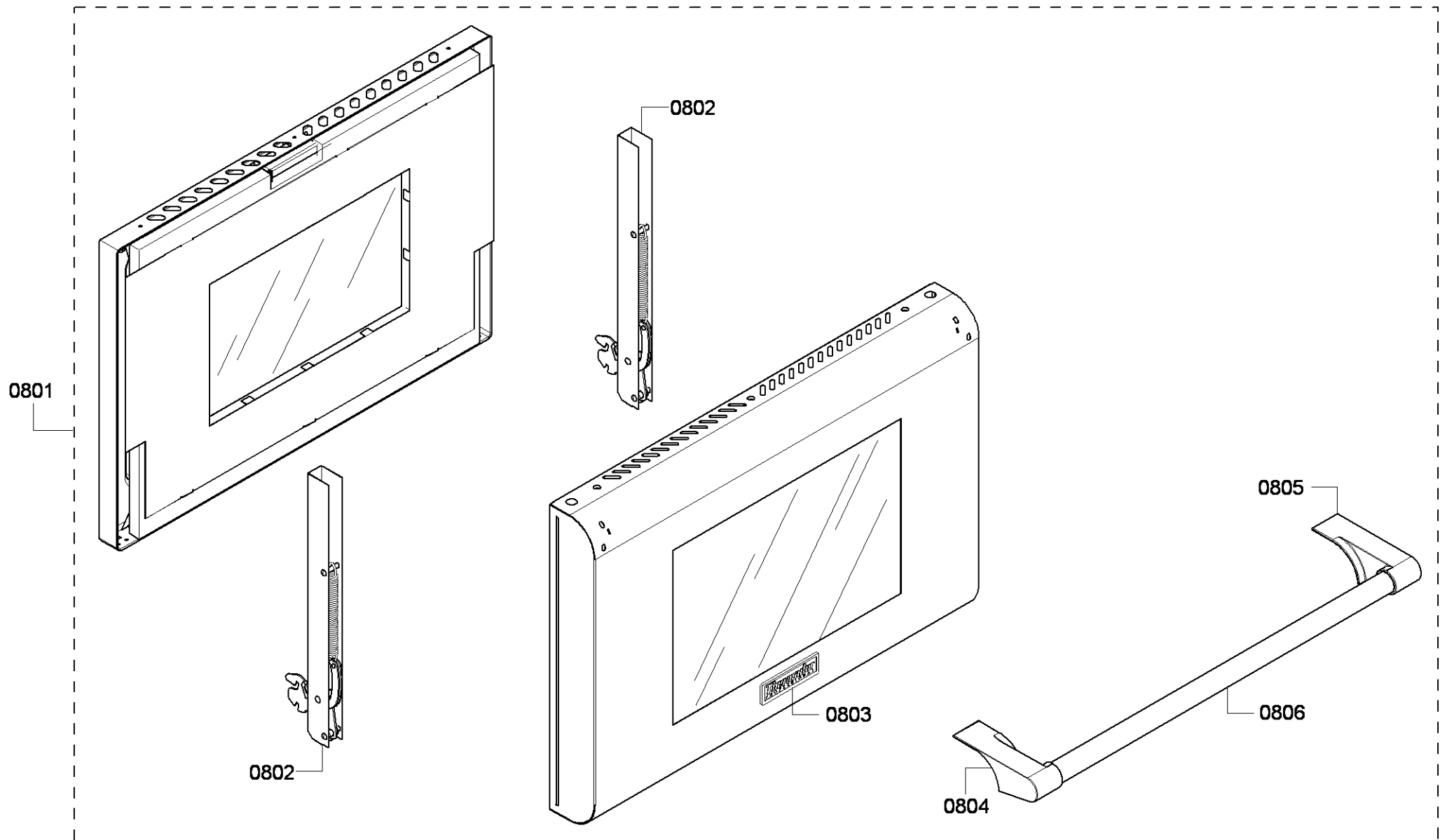
Position ID	Part number.	Replaces:	Description
0501	00496069		Heat shield
0503	00418283		Support
0505	00605350	00619016	Fixing kit
0504	00604749	00619757	Fixing kit
0551	00608011	00754966	Ignition cable
0553	00438794		Cable harness
0557	00438795		Cable harness
0552	00643535		Cable harness
0502	00709785		PC board



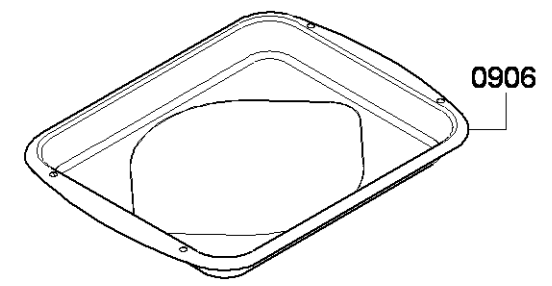
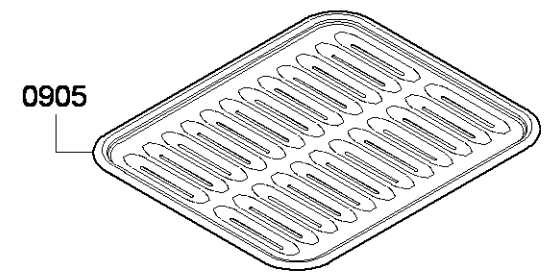
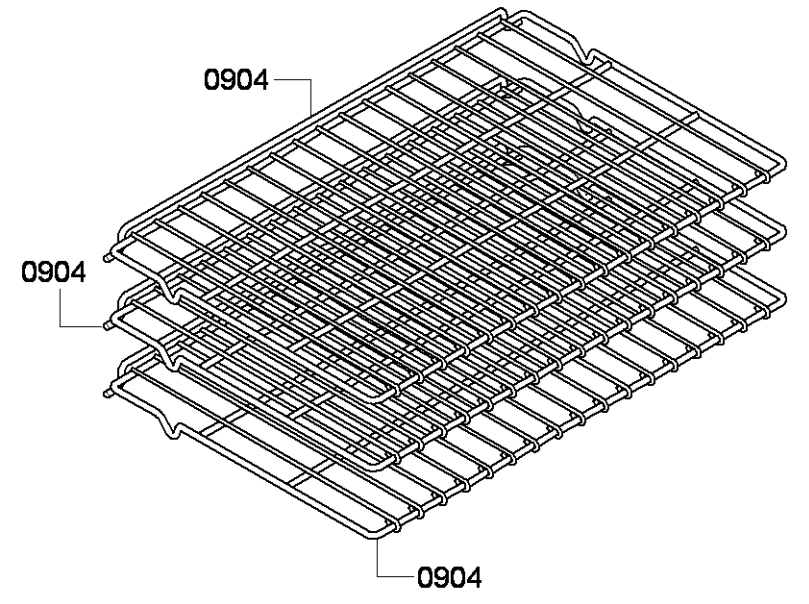
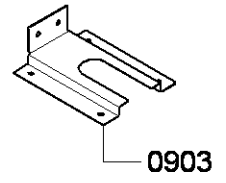
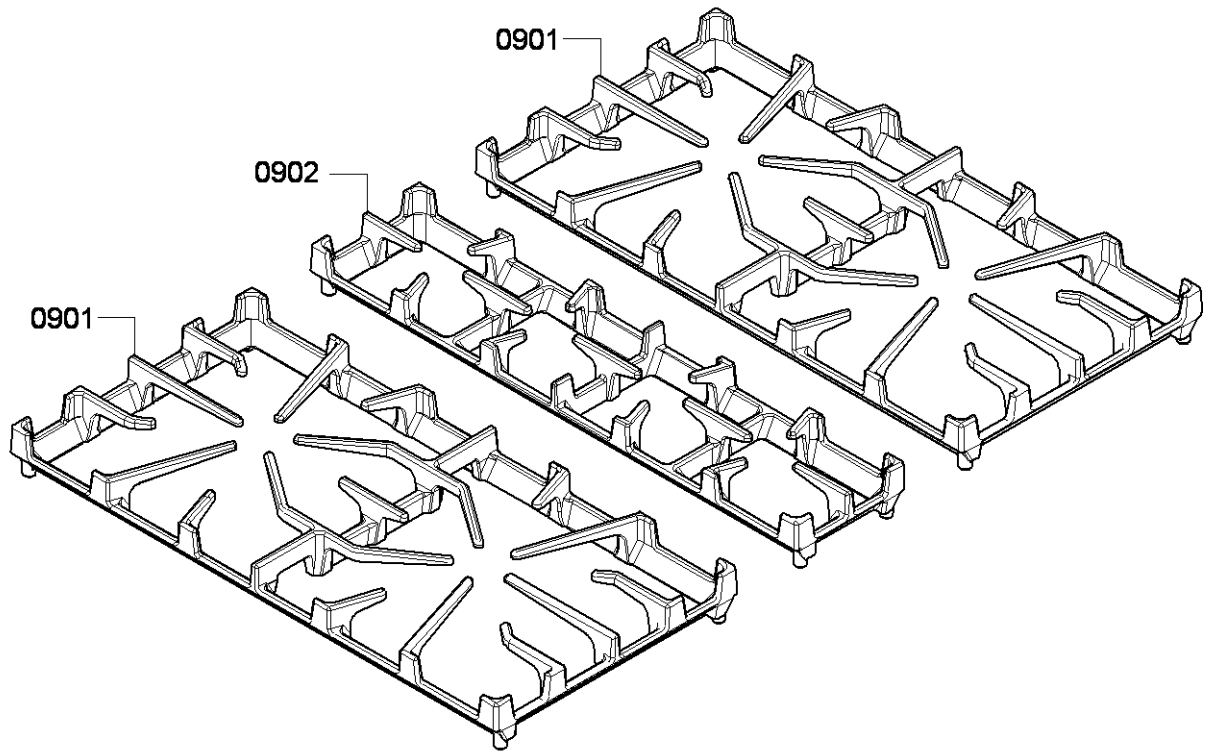
Position ID	Part number.	Replaces:	Description
0604	00431910		Heating Element
0611	00440371		Plate
0612	00431908		Broil Element
0613	00433781		Cover
0614	00418089		Support
0605	00497756		Motor
0606	00489178		Bracket
0607	00479238		Cover
0608	00640401		Heating element
0610	00418115		Bracket
0601	00418121	00627375	Temperature sensor
0603	00489206		Cover
0602	10007424		Lamp



Position ID	Part number.	Replaces:	Description
0703	00436364		Terminal box
0704	00641059		Fan
0702	00421608		Control mechanism
0705	00494383		Pipe connection piece
0717	00441315		Support
0750	00438796		Cable harness
0751	00438797		Cable harness
0710	00489185		Lock-mechanical
0709	00489194		Transformer
0713	00442762		Support
0714	00427073		Foot
0715	00494378		Bracket
0716	00640922		Receiver
0718	00474135		Frame
0719	00219871		Sleeve



Position ID	Part number.	Replaces:	Description
0802	00640942		Hinge
0803	00608776		Plate
0804	00610015		Cap
0805	00610016		Cap



Position ID	Part number.	Replaces:	Description
0901	00143928		Grate
0902	00439977		Spacer
0903	00427338		Bracket
0904	00219856		Shelf
0905	00143673	00449756	Broiler Pan
0950	00413552		Grate Feet