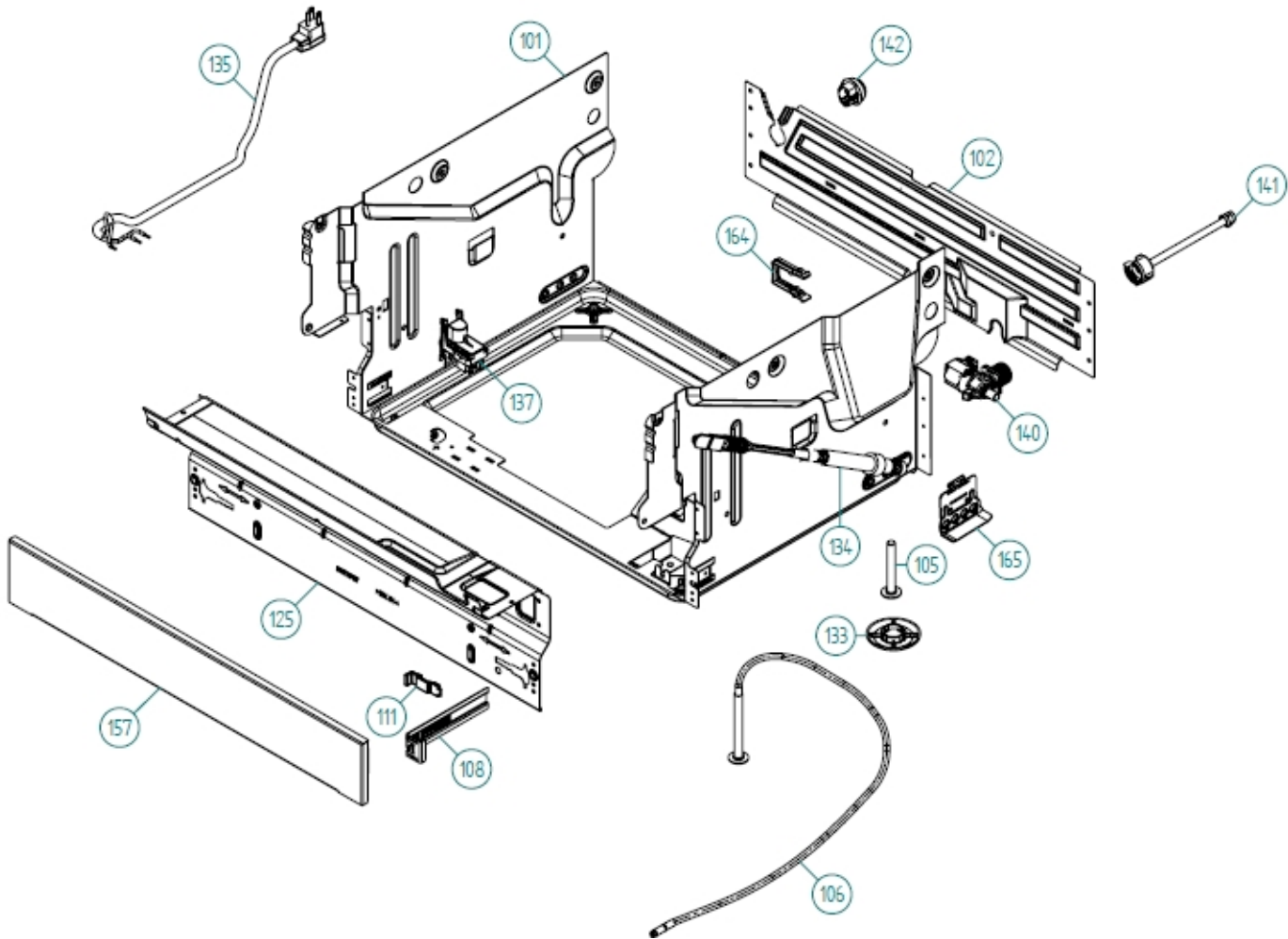


SPARE PARTS LIST

Type	DW70.3	Brand name	ASKO
Model	D5223 XXL FI US -Titanium FI	Version	14.06.2013
Art. No.	341351	Service index	01

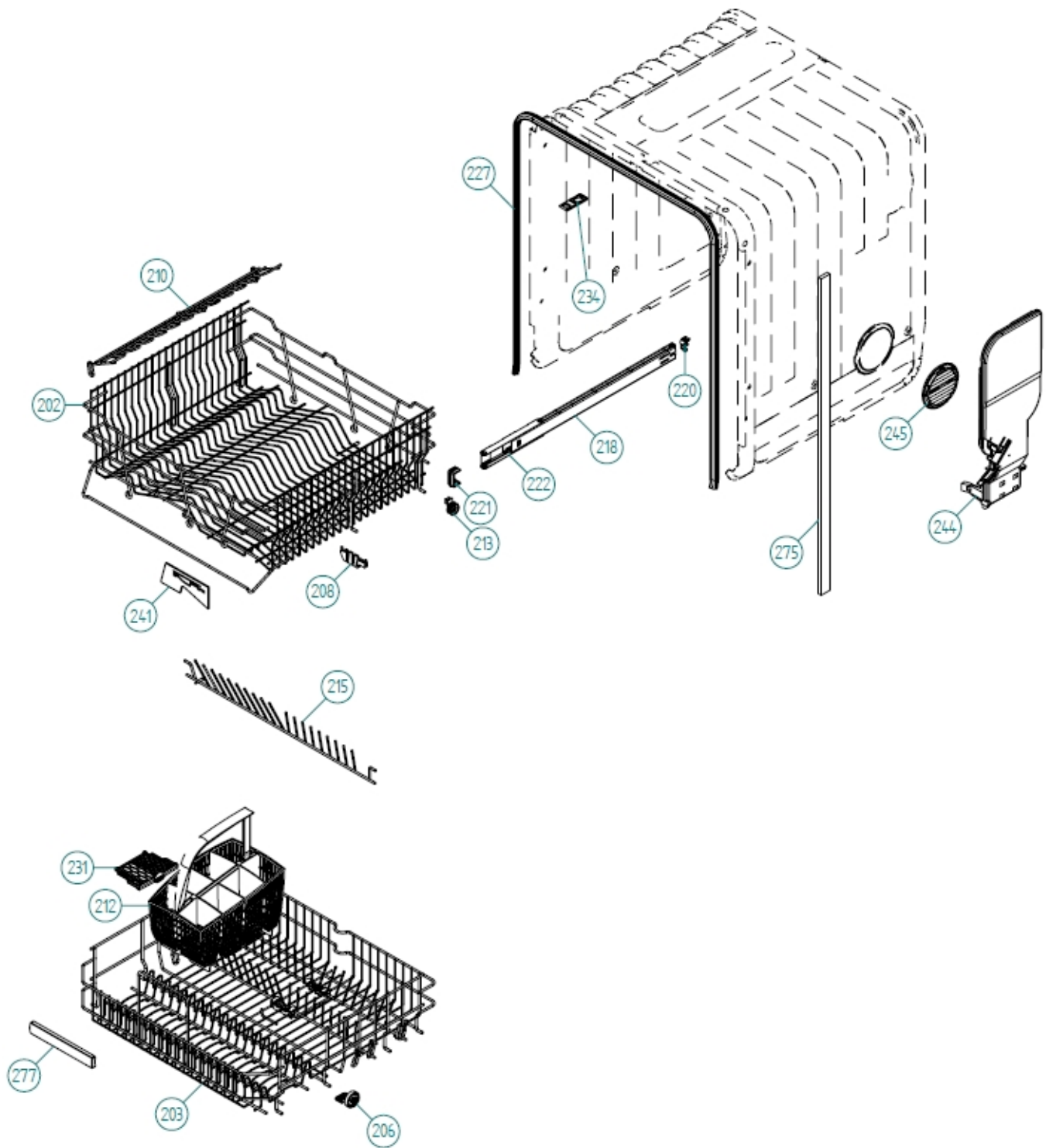
740196



Position	Ident	Spare part description	Quantity	Validity	Extra ID
101	700669	BOTTOM OUTER ASSY DW70	1		
101-a	700436	SCREW A4 MRT M4X8 VAXED TORX20 BUFAB	2		
101-b	700474	SCREW	4		8901110
102	513721	BASE COVER BACK	1		8078006
105	700290	FOOT	2		8089196
105	700290	FOOT	1		8089196
106	700289	ADJUSTABLE FOOT DW ASSY	1		8089192

Position	Ident	Spare part description	Quantity	Validity	Extra ID
108	810537	BASE COVER BRACKET	2		8073480
111	700332	SPRING	2		8073481-49
125	700489	BASE COVER LOW DW70 BLANK UL4	1		
133	704552	SLIDER	3		8051957
134	704611	SPRING	1		
134	700528	SPRING	1		
135	700557	CABLE SUPPLY	1		8083262
137	700514	FILTER NOISE	1		8083041
137-a	247984	SCREW MRT-TT 4X10 FZB T20	1		8901097
140	434374	ELECTRIC VALVE	1		
140-a	700439	CLAMP	1		8079597
141	700266	INLET HOSE	1		8079522
141-a	700483	GASKET	1		8074473
141-b	197650	SEAL 3/4 EPDM 25,9X10,9X2	1		8090072
142	200283	SLEEVING	1		8006948
157	700457	BASEBOARD	1		8073566-81
162	700411	SUPPORT	1		8079832
164	700439	CLAMP	1		8079597
165	700351	SPRING SUPPORT LEFT	1		8078013
165-a	408582	SCREW RTR ST4,2X9,5 FZB T20	1		8902362

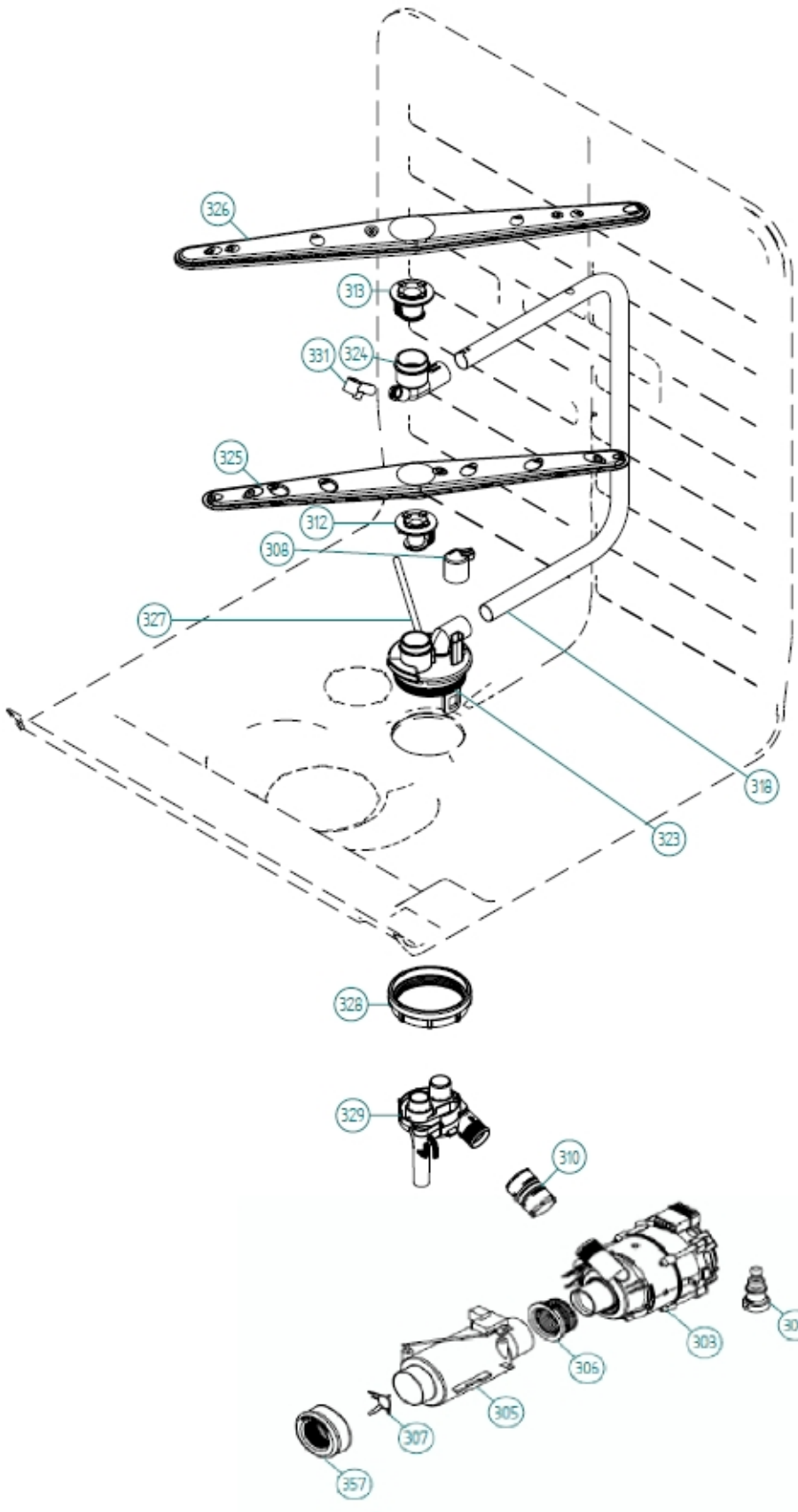
741196



Position	Ident	Spare part description	Quantity	Validity	Extra ID
201	000000		1		8057056
202	490026	UPP.BASKET PREMIUM 7502-B ASSY	1		8801236-36
203	489454	LOWER BASKET EXCLUSIVE 7502-B ASSY	1		8801316-36
206	700391	LOWER BASKET WHEEL	8		
208	700321	KNIFE RACK	2		8071214-77
210	700467	GLASS HOLDER	2		8071337-36
212	428811	CUTLERY BASKET	1		8801396-77

Position	Ident	Spare part description	Quantity	Validity	Extra ID
213	655318	BASKET WHEEL TEFLON 5502-B	4		8058498-77
215	700500	BASKET ACCESSORY	2		8079122-36
218	700308	GUIDE	2		8057052
220	700313	GUIDE SHOCK ABSORBER	2		8057978-77
221	700430	RAIL BLOCK	2		8088703-77
222	428814	SPACER	1		8801349-77
225	700313	GUIDE SHOCK ABSORBER	2		8057978-77
227	700310	GASKET	1		8057489-F
231	700390	CUTLERY BASKET COVER	1		8079251-77
234	700319	LATCH	1		8070649
234-a	700320	DOOR HOOK	1		8070654
234-b	700436	SCREW A4 MRT M4X8 VAXED TORX20 BUFAB	1		
241	700311	KNIFE STOP PLATE	1		8057506-77
244	700497	DIVIDER	1		8078300
245	700379	AIR BREAK COVER	1		8078304-77
275	671331	SEALING TAPE 8X15X750	2		8070614
277	427447	HANDLE	1		

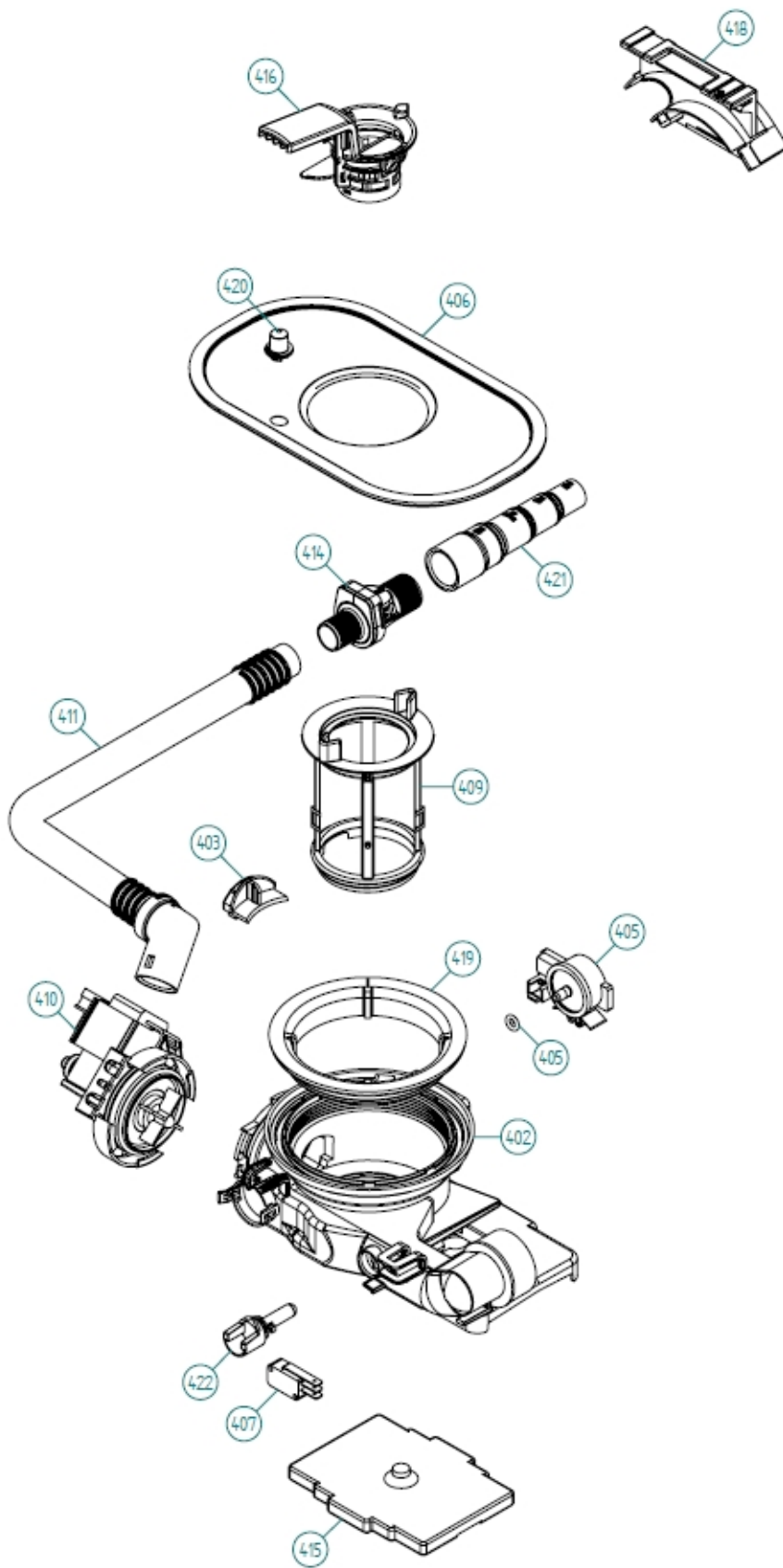
742196



Position	Ident	Spare part description	Quantity	Validity	Extra ID
301	166752	BOTTOM REARSIDE XXL	1		8078001
303	700244	WASHING PUMP	1		8078082

Position	Ident	Spare part description	Quantity	Validity	Extra ID
303-a	441459	CONDENSER 7UF EM 60HZ	1		8083804
305	700556	HEATER 1200W 120V UL4	1		
305	429634	HEATER	1		
306	700399	GASKET	2		8079531
307	700405	HEATER INSERTION	1		8079575
308	700330	COVER	1		8073385-77
310	700442	PUMP'S HOSE	1		8072888
310-a	550741	BELT CLAMP D30,8	2		8056491
312	700347	SUPPORT	1		8076901-77
313	700348	SUPPORT	1		8076903-77
318	704553	SPRAYERS FEED HOSE	1		8073387-E
323	441323	SPRAYER ATTACHMENT	1		8801270
323-a	700437	GASKET	1		8901765
324	441303	KIT SPRAYARM BEAR. UPPER DW20	1		8801268
325	700326	SPRAY ARM LOW SUR.UL4	1		
326	700327	SPRAY ARM UPPER DW20 BLANK UL4	1		
327	700329	HOSE	1		
327-a	200617	SCREW PT KB40X10 WN1442 RFS	2		8902085
328	700323	RING	1		8071607
329	700366	INTERMEDIATE	1		8078086
331	700324	SPRAYING POUT	1		8072543-77
357	700423	GASKET	1	After 06.2009	8083603

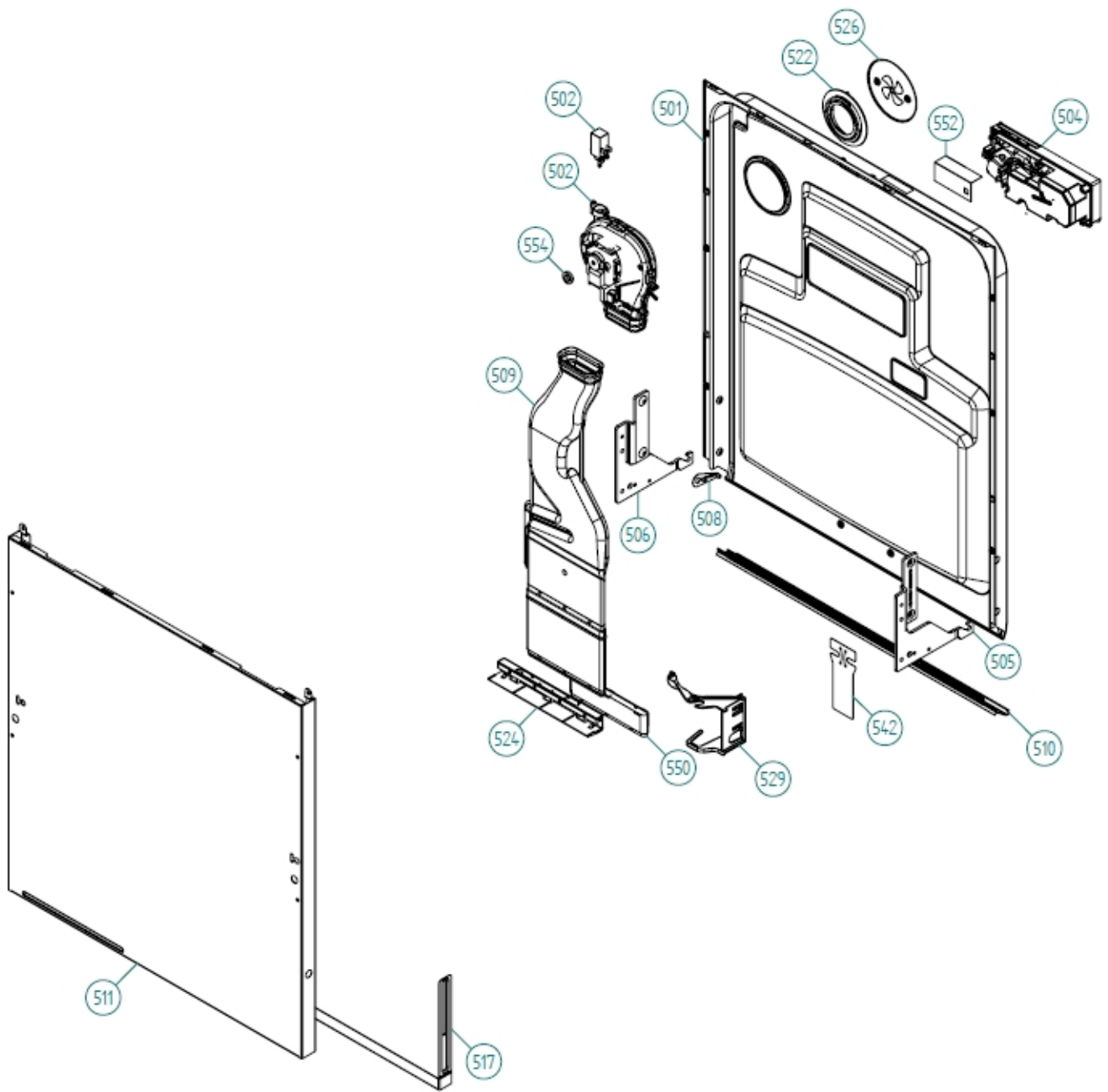
743196



Position	Ident	Spare part description	Quantity	Validity	Extra ID
402	441592	KIT BOTTOM W.NO RET.VALVE 1SEN	1	Before 05.2010	8801451
402	441588	KIT BOTTOM WELL PRES.SENS.DW70	1		8801403

Position	Ident	Spare part description	Quantity	Validity	Extra ID
402	700525	SUMP	1	After 05.2010	
402-a	800466	O-RING	1		8081039
403	700355	PLUG	1		8078033
405	700336	PRESSURE SENZOR DW20 ESD UL4	1		8073839
405-a	700338	GASKET	1		8074040
406	700341	PLANE FILTER	1		8074364
407	700335	MICROSWITCH	1		8073835
409	465484	FILTER PIECE ASSY DW70 5502-B	1		
410	700245	DRAIN PUMP	1		8078089
411	197459	HOSE OUTLET N.RET VALVE 3M ACC	1	Before 05.2010	8079693
411	640393	SET DISCHARGE HOSE US UL4 O-RING	1	After 05.2010	8083478
411-a	700462	GASKET	1	After 05.2010	
414	441536	KIT CHECK VALVE	1	Before 05.2010	8801248
414-a	700476	CLAMP	1		
414-b	028734	HOSE CLAMP D20-40	1		8053642
415	700354	FLOAT	1		
416	700357	BASKET	1		
418	700304	HOSE BEND	1		
418-a	028734	HOSE CLAMP D20-40	1		8053642
418-b	700476	CLAMP	1		
418-c	252091	CABLE TIE 150X3,5	1		33700450
418-d	247990	SCREW PT KB40X10 WN1442 GALV	1		8902072
419	700325	RING	1		
420	700342	VENTILATING FAN	1		8074760-77
421	700484	END CUFF	1		8075321
422	700369	SENSING DEVICE	1		8078096
426	264928	SEALING NON RETURN VALVE	1		8078024
427	700462	GASKET	1		

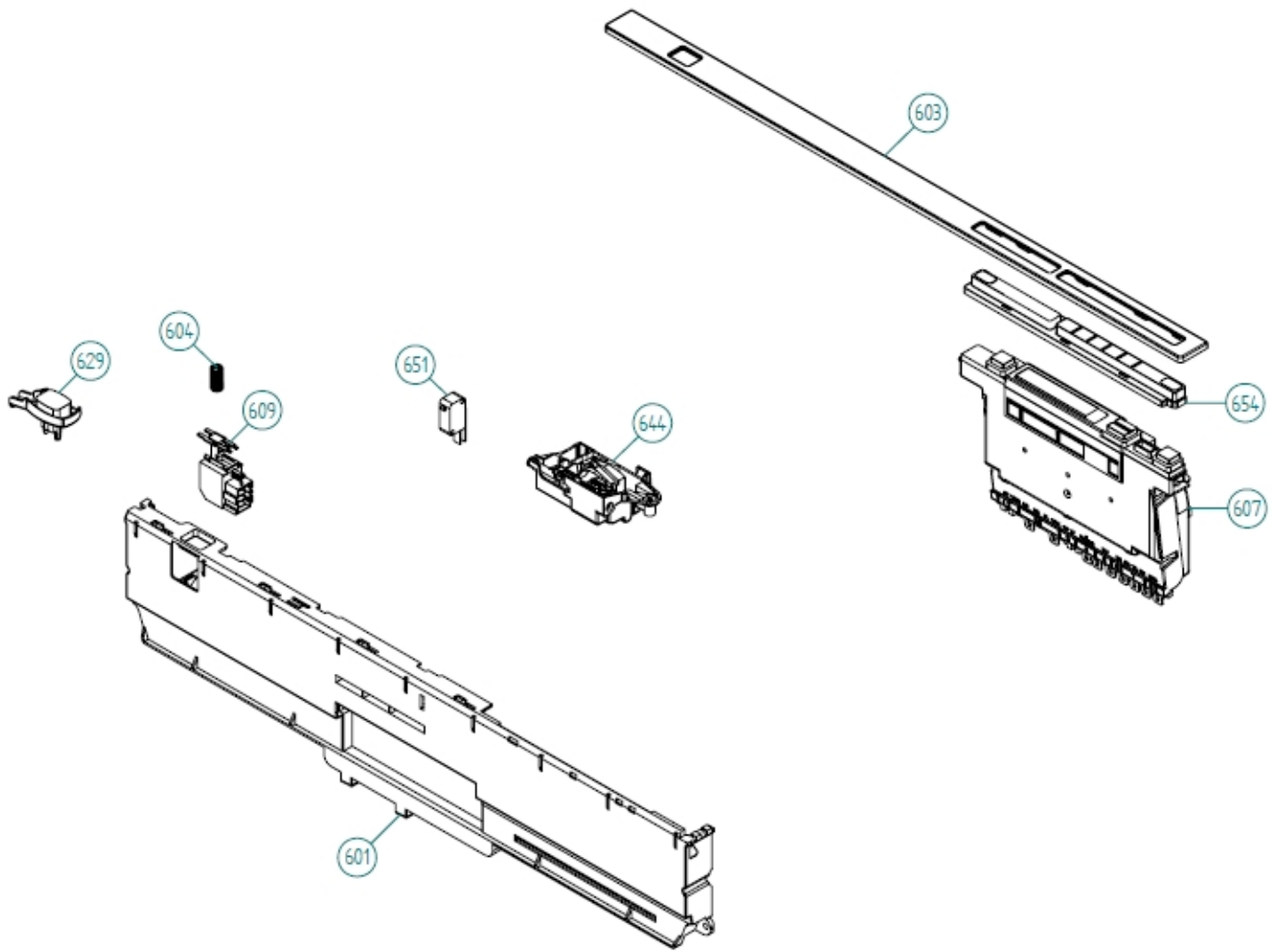
744196



Position	Ident	Spare part description	Quantity	Validity	Extra ID
501	700674	INNERDOOR FAN/INT XXL ASSY	1		8079612-MP
501-a	700470	SCREW ST4,2X13-A4 TORX20 RTS BUFAB	6		
501-b	273967	SCREW A2-MKFT 5X10	4		8902121
502	700562	FAN	1		8089580
502-a	800467	O-RING	1		8058501
502-b	441335	FAN RELAY AIR CHANNEL ASSY	1		8801438
504	351287	COMBIDISP.120V GREY	1		8070679-77
504-a	200307	GASKET	1		8071916
504-b	200308	COVER	1		8071917

Position	Ident	Spare part description	Quantity	Validity	Extra ID
504-c	200309	COVER	1		8071918
504-d	200310	GASKET	1		8072288
504-f	200621	SCREW PTK 40X14 WN1452 FZB T2	6		8902087
505	727771	HINGE RIGHT ASSY	1		8801458
506	727779	HINGE LEFT ASSY	1		8801459
507	700312	HINGE SCREW	2		8057530
507-a	700472	NUT M4-SELF-LOCKING	2		33500262
508	247960	SLIDE WASHER HINGE BEARING	2		8057948
509	441302	AIR-CANAL	1		
510	426743	DOOR GASKET	1		
511	166755	DOOR OUTER HIGH INT ADJUST XX	1		8078017-PES
511	700352	OUTER DOOR	1		
511-a	700470	SCREW ST4,2X13-A4 TORX20 RTS BUFAB	6		
517	705686	AIR CHANNEL ADJUSTABLE FRAM	1		
517-a	235141	SCREW MRT-GF M5X8 COMB T25 FZ	2		8902133
522	700432	RING	1		8089401
522	242781	LOCK RING FAN CASING UL4	1		8057964
522-a	200617	SCREW PT KB40X10 WN1442 RFS	2		8902085
523	700402	HOLDER	1		8079546
524	700426	AIRCHANNEL NOZZLE	1		8083978-33
526	700315	COVER	1		8058484
526-a	200617	SCREW PT KB40X10 WN1442 RFS	2		8902085
529	700340	SUPPORT	1		
542	262978	COVER, CABLES	1		8076966
550	700404	AIRCHANEL INTERMEDIATE	1		8079558
552	196863	COVER FOR SPRAY PIPE	1		8083021
554	700425	SPACER	1		8083885

745200



Position	Ident	Spare part description	Quantity	Validity	Extra ID
601	700546	SWITCH PANEL	1		
601	700546	SWITCH PANEL	1		8084001-UL
602	196825	PROG.INFO.LABEL ASKO D5220 US	1		8082895
603	342870	LENS ASKO D5220 (70.3) GRAPHIC	1		8084650-81
604	700339	SPRING	1		8074277
607	198699	CONTROL UNIT REPL.BY 8801435	1		8801365
607	445810	CONTROL UNIT DW70.3 INTERVAL FAN ASSY	1		
609	200349	POWER BUTTON	1		8073782
610	700397	WIRING HARNESS NTC	1		
614	700361	WIRING HARNESS CIRC. PUMP	1		8078068
616	700493	WIRING HARNESS FLOWMETER	1		
618	700362	WIRING HARNESS POWER SUPPLY	1		
620	704555	WIRING HARNESS FAN	1		
622	704556	WIRING HARNESS PUMP OUTLET	1		

Position	Ident	Spare part description	Quantity	Validity	Extra ID
629	700417	POWER BUTTON	1		8081633-81
644	700333	DOORLOCK	1		8073670
651	200358	DOOR SWITCH	0		8073836
654	342867	PUSH BUTTONS ASKO 70.3 2KN GR.	1		8082893-81
690	000000		1		8084463
690	000000		1		8084464